

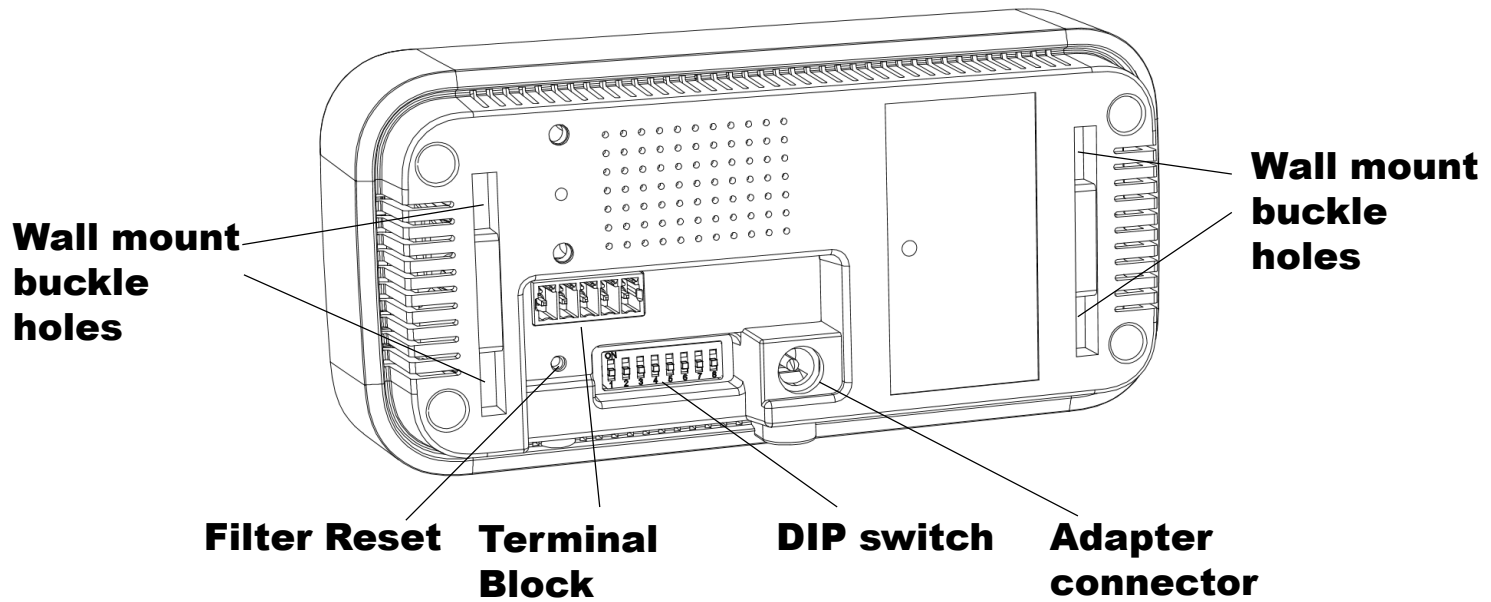
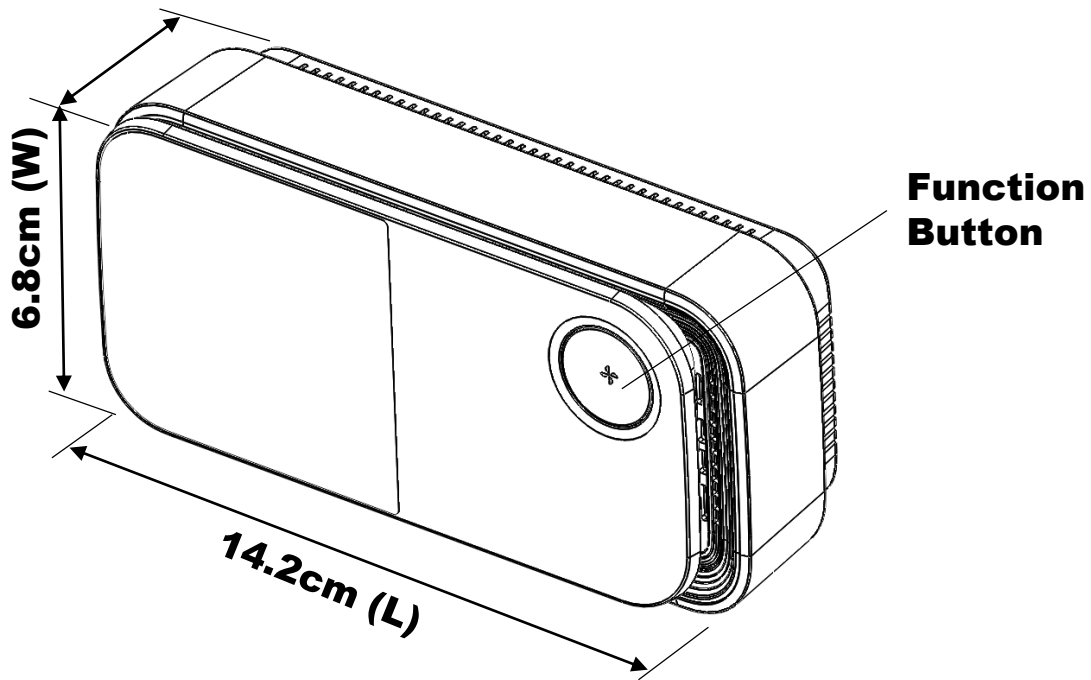
UNO IAQ Sensor Installation Guide



Product Development Team, BABG

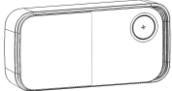
Aug. 25 2023 ver.02





Placement

UNOlite is recommended to be installed below condition and at a height of 0.8~1.5 meters (2.56~4.8 feet).



Avoid sunlight



Indoor use only



Keep away from air-conditioning outlet



Keep away from light heat source



Keep away from fire



Keep away from cooking area

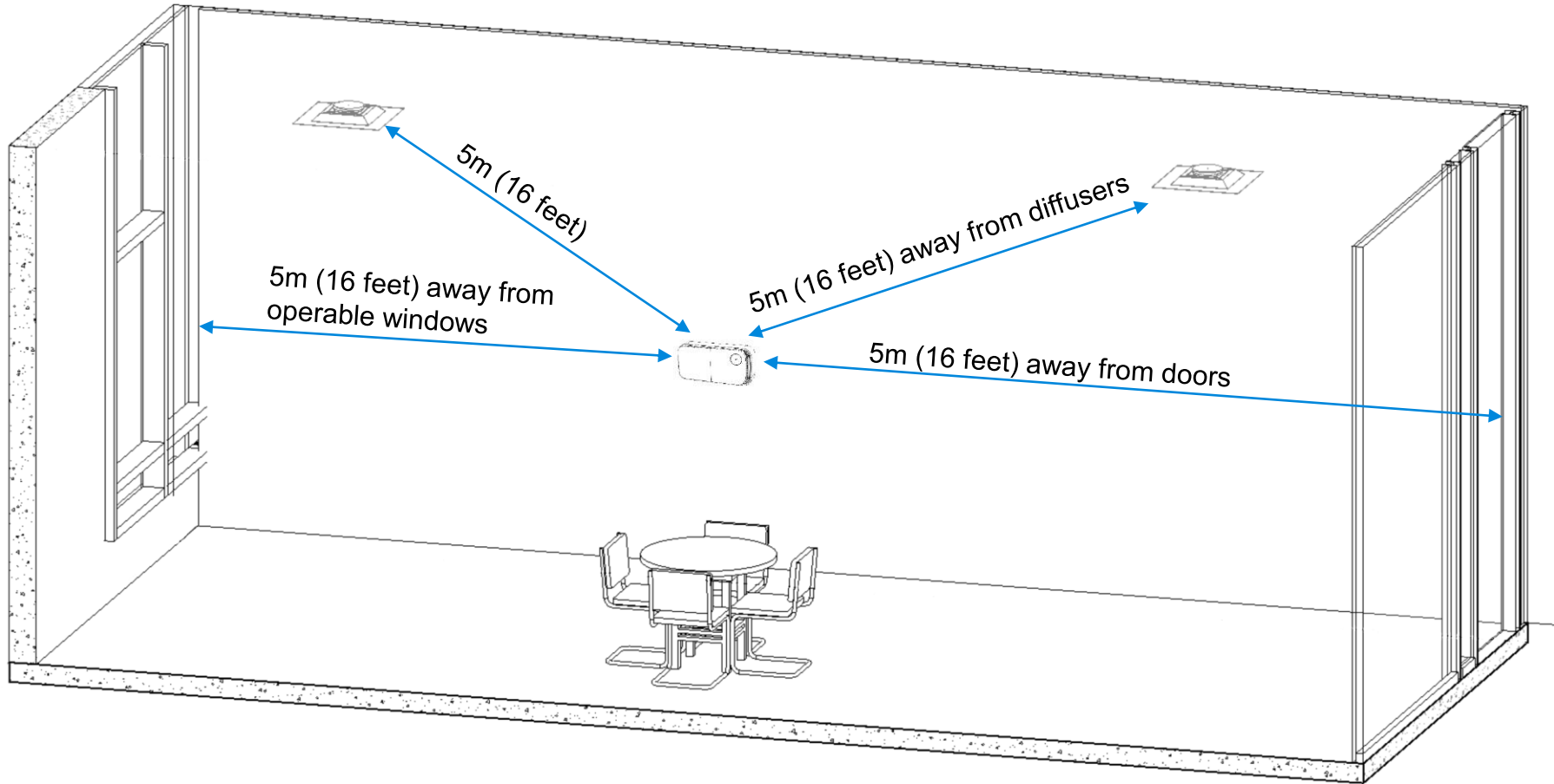


Do not use a direct cleaning agent

0.8~1.5 meters
(2.56~4.8 feet)

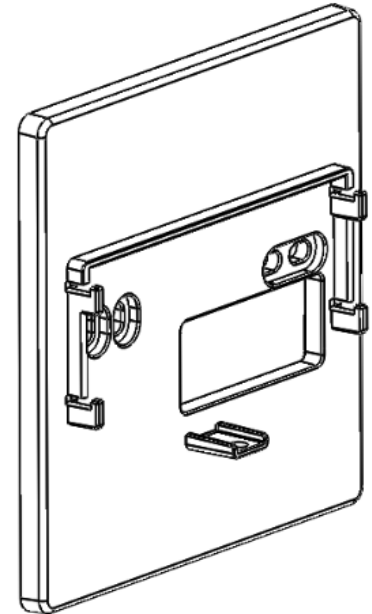
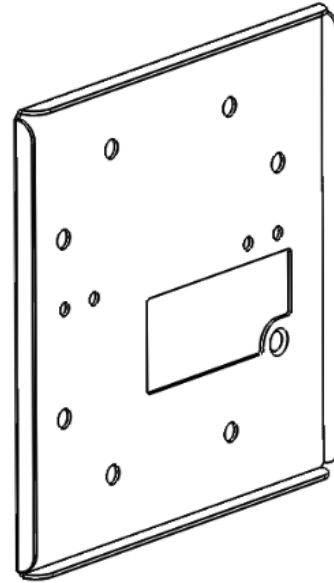
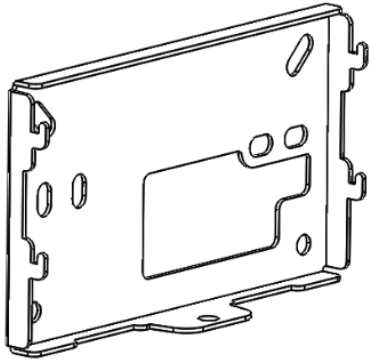
Ground Level

Located at least 5 meters (~16 feet) away from operable windows, doors and diffusers

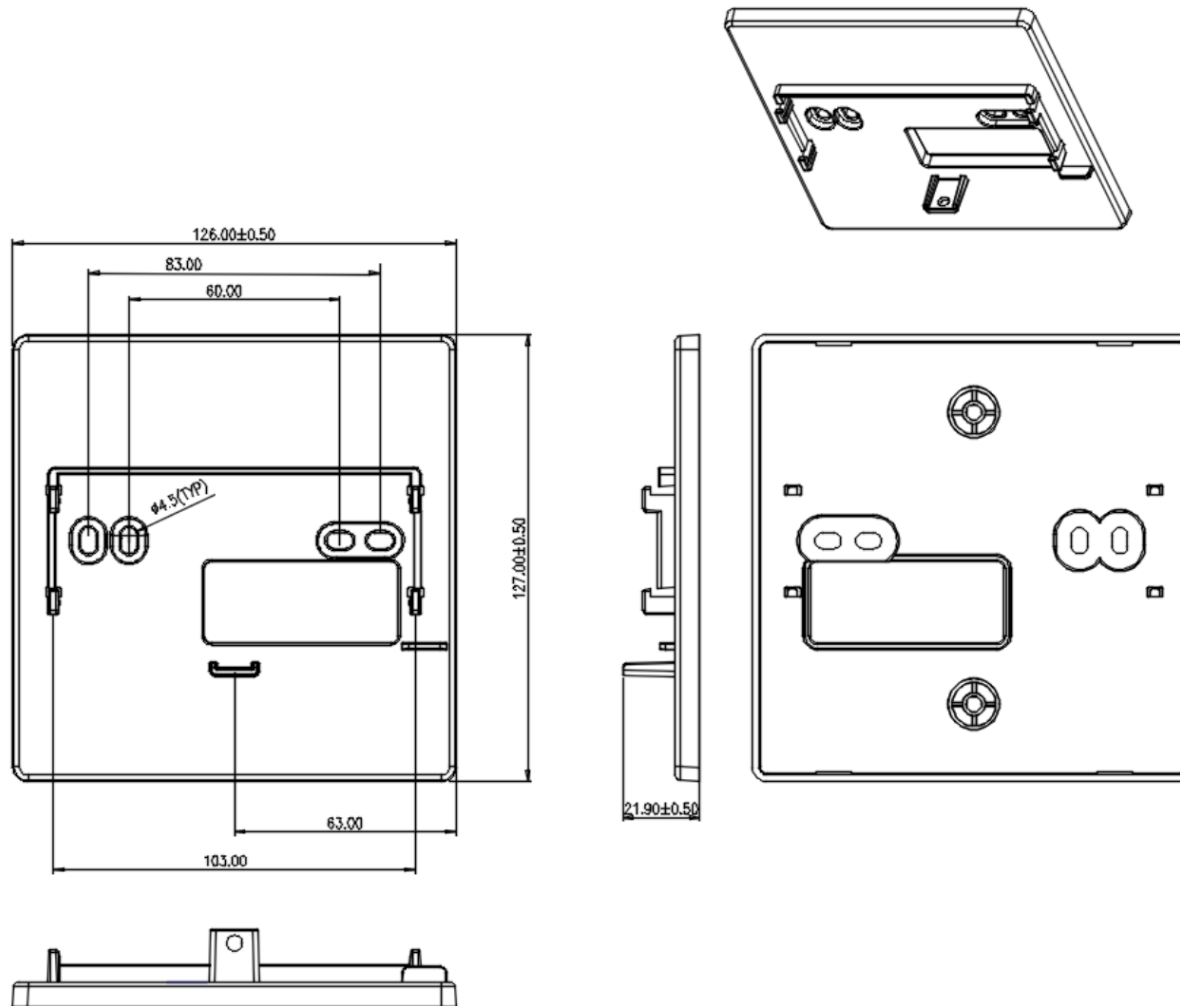


Step 1

Select suitable Wall Mount Frame to meet different Junction



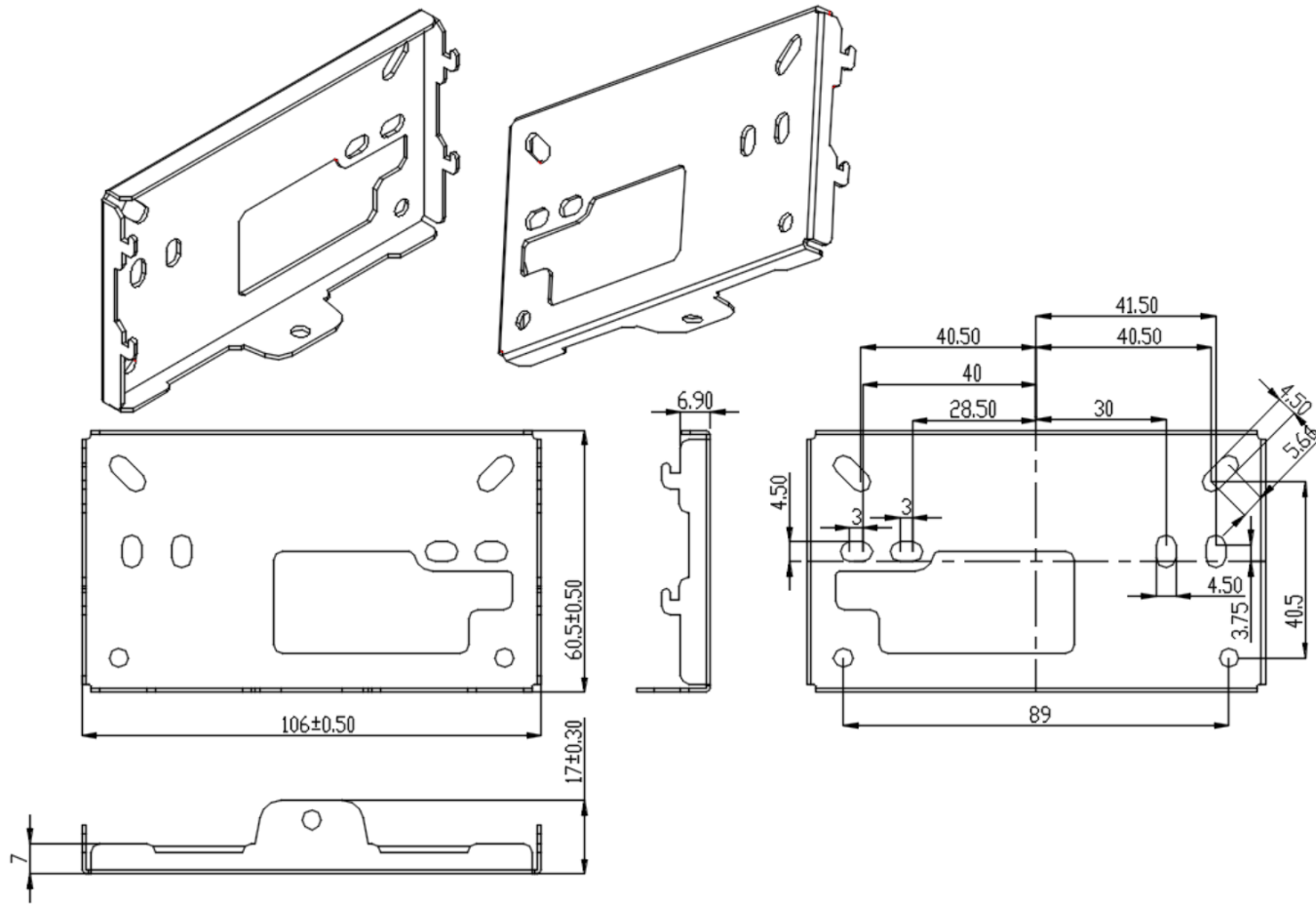
Plastic Wall Mount Cover Dimension



Plastic well module cradle is an accessory that comes with the product (Both UNOnext and UNOlite).

Small Wall Mount frame Dimension

Delta Part No.: 3487312702



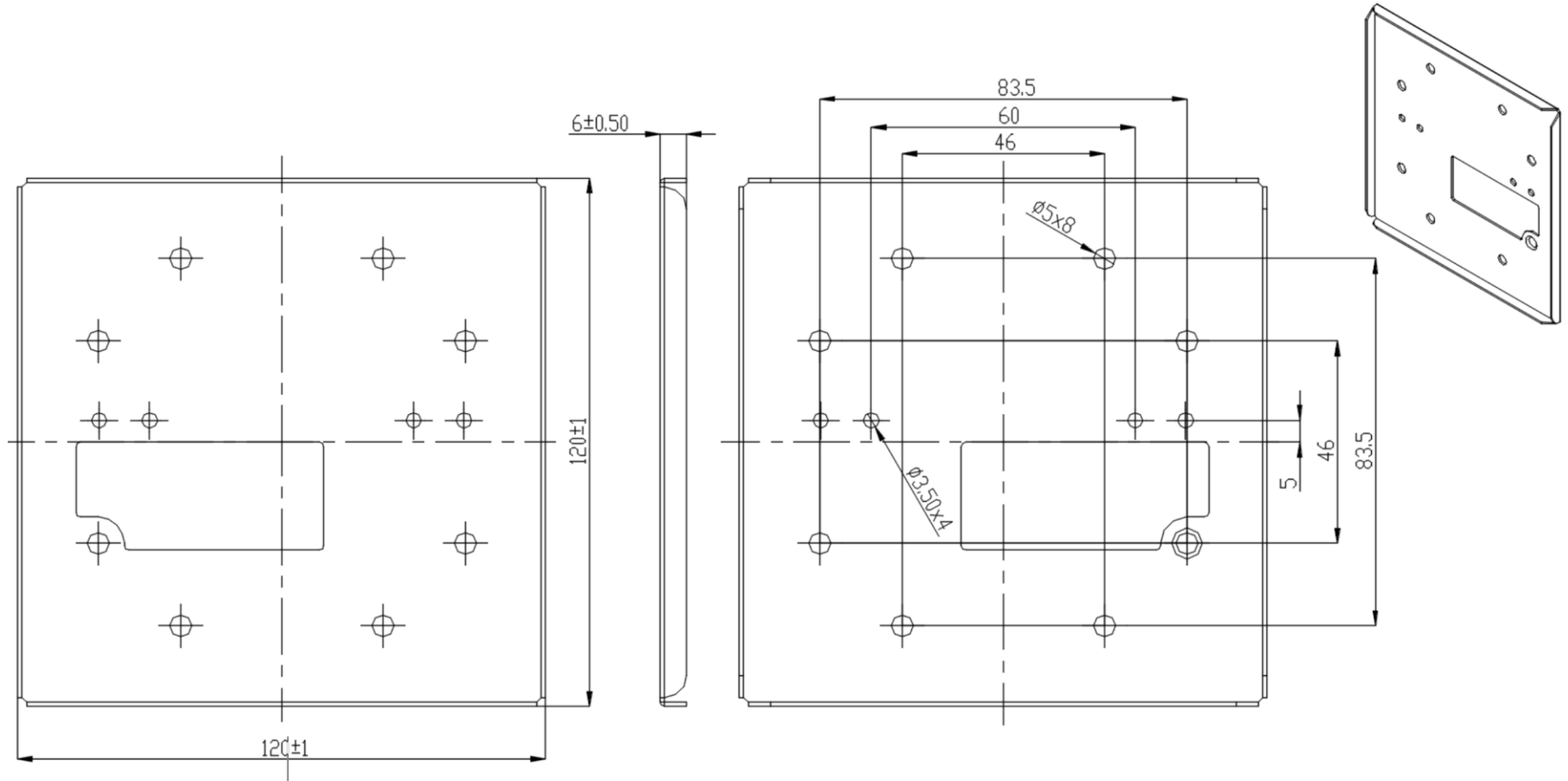
Compact Wall Mount Frame for 1-Gang Junction Boxes (Compatible with US, EU, & TW Junction Box)

Delta Part No.: 3487312702

This well module frame is an accessory that comes with the product (UNOLite).

Large Wall Mount frame Dimension

Delta Part No.: 3994041800

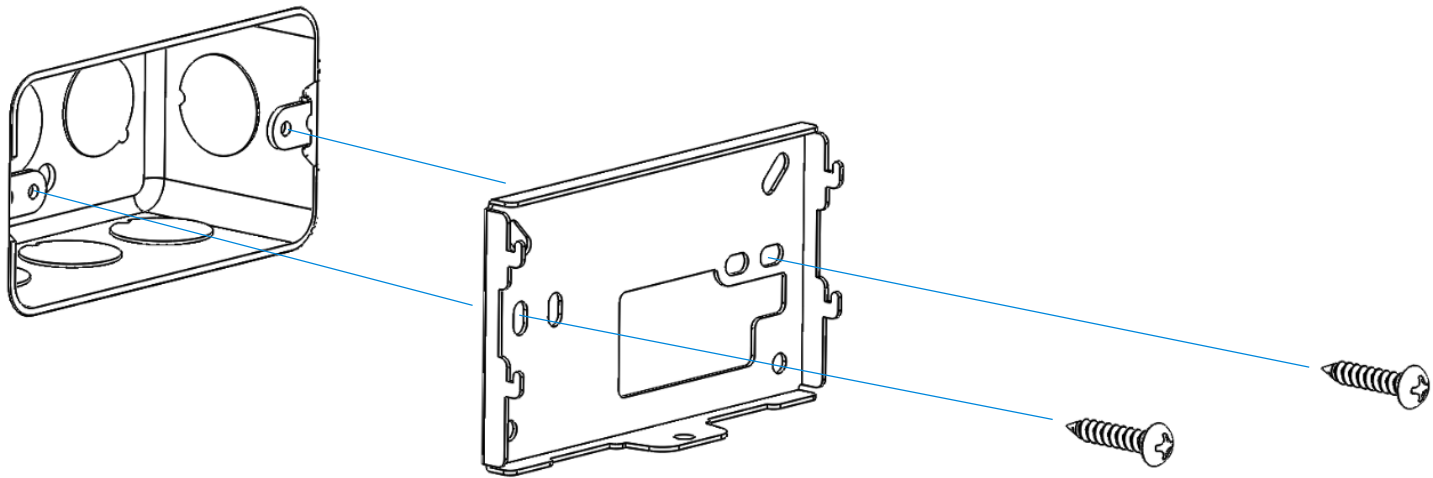


The Wall Mount Frame and Cover for China 86 or 2-Gang Junction Boxes (Compatible with US, EU, & TW Junction box)

Delta Part No.: 3994041800

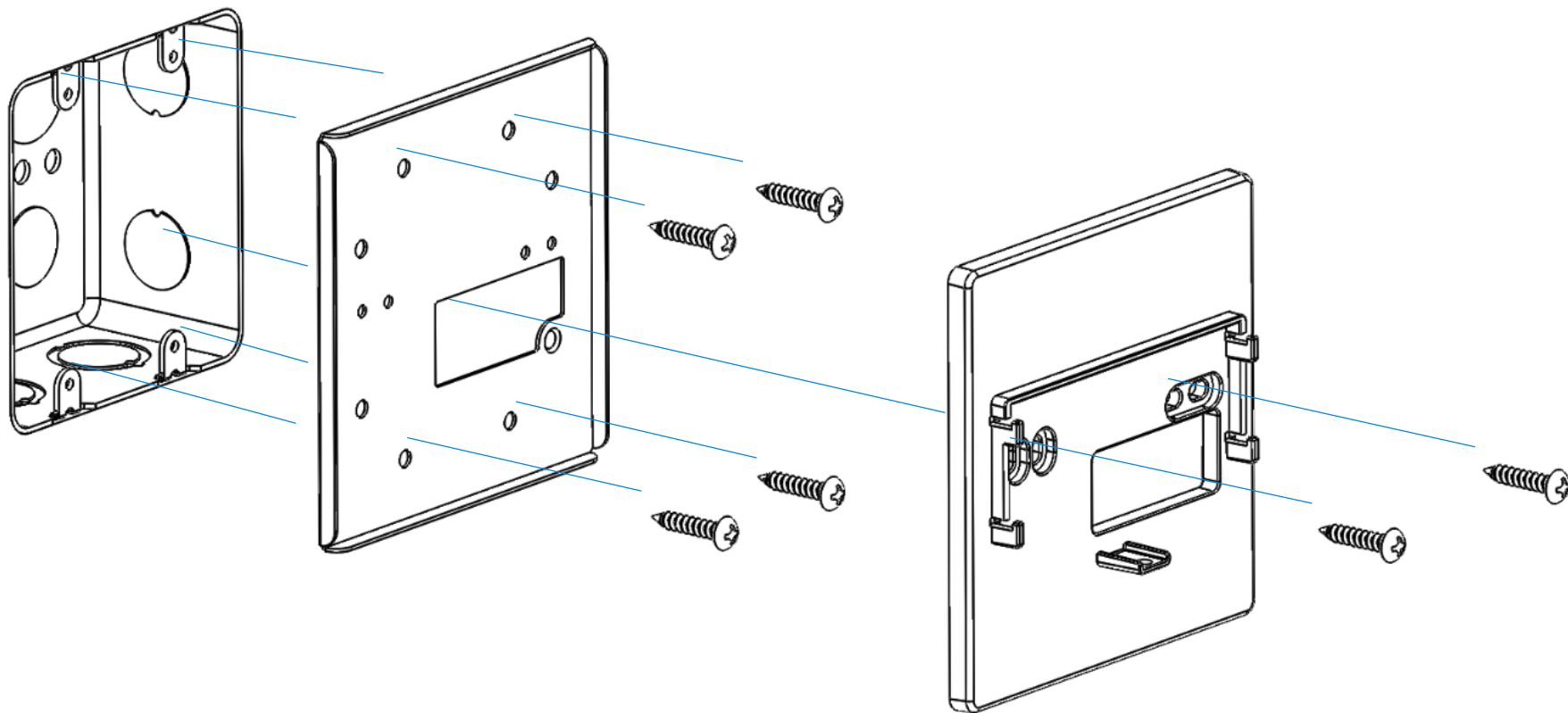
Step 1.1

Install small Wall Mount frame with 1 Gang Embedded Junction Box



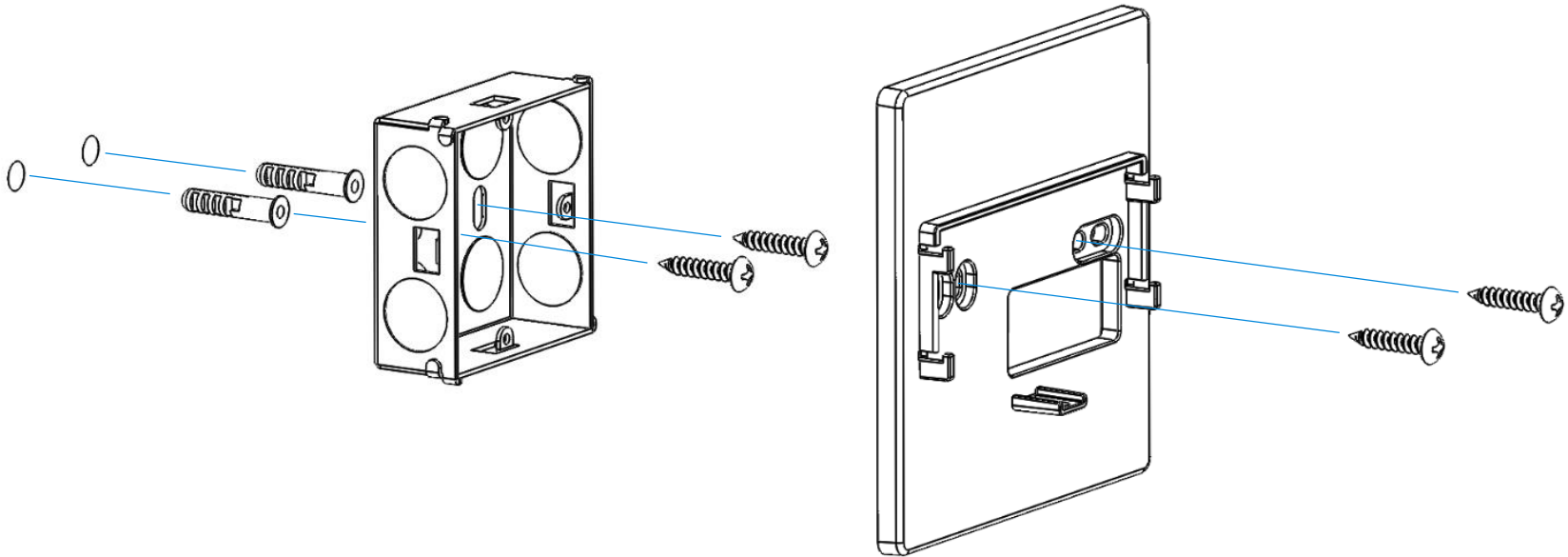
Step 1.2

Install large Wall Mount Kit with 2 Gang Embedded Junction Box



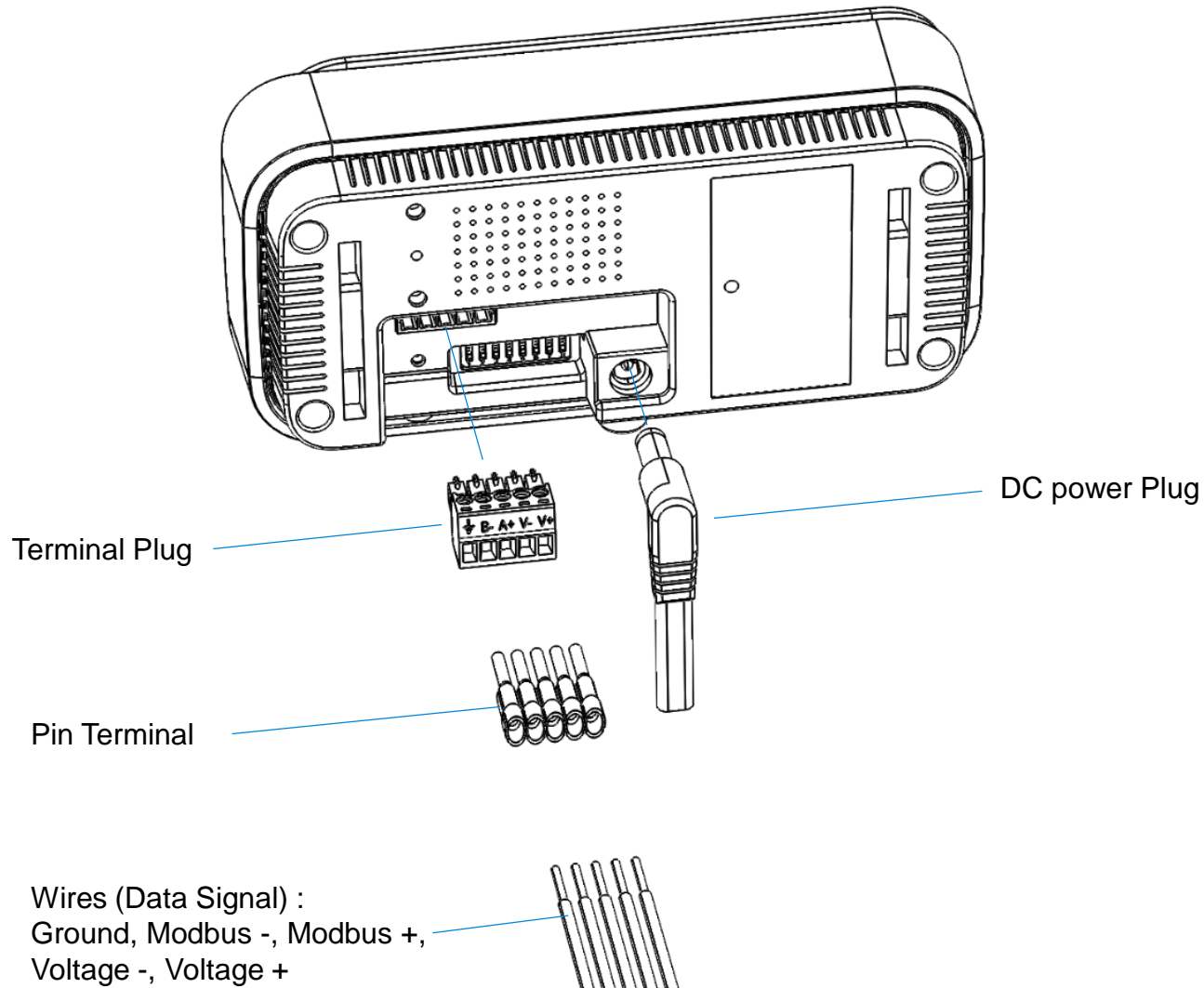
Step 1.3

Install large Wall Mount cover with Junction Box Installation



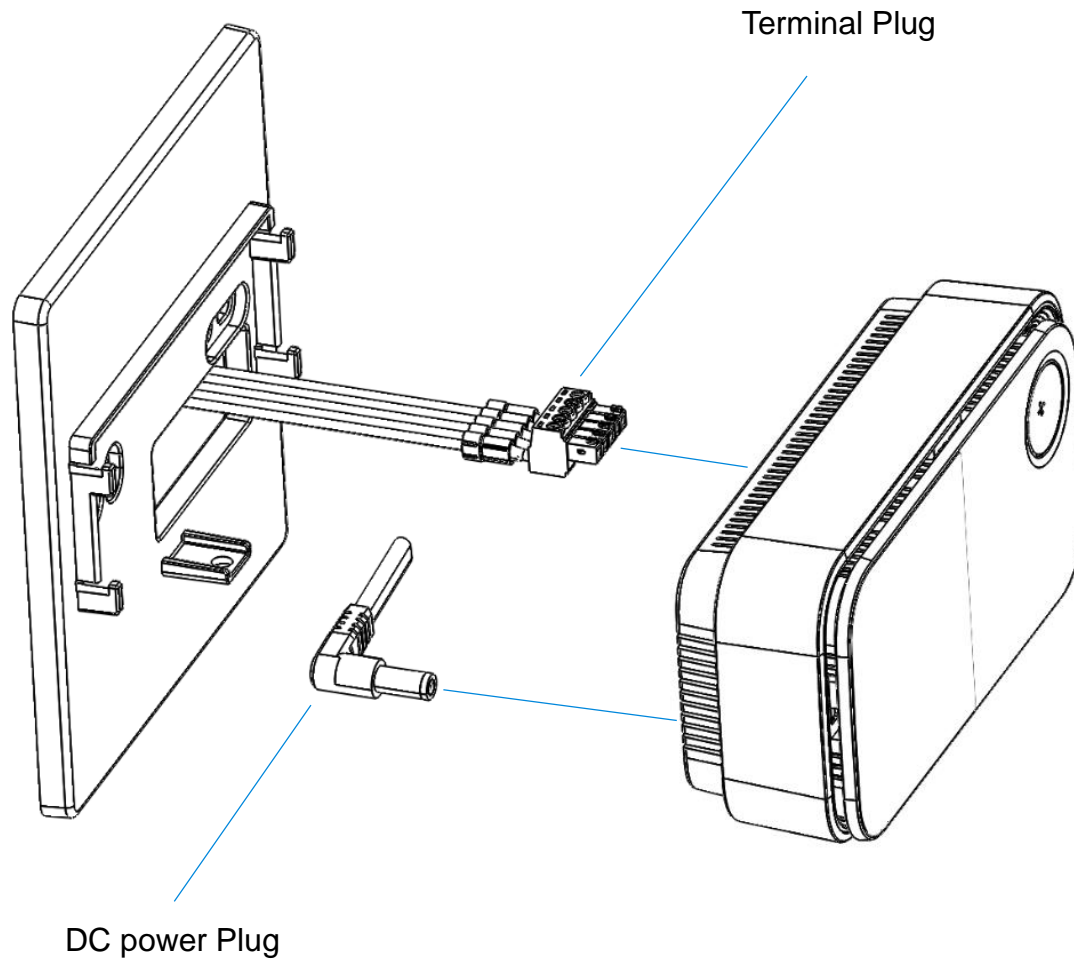
Step 2

Insert wire cables to terminal plug



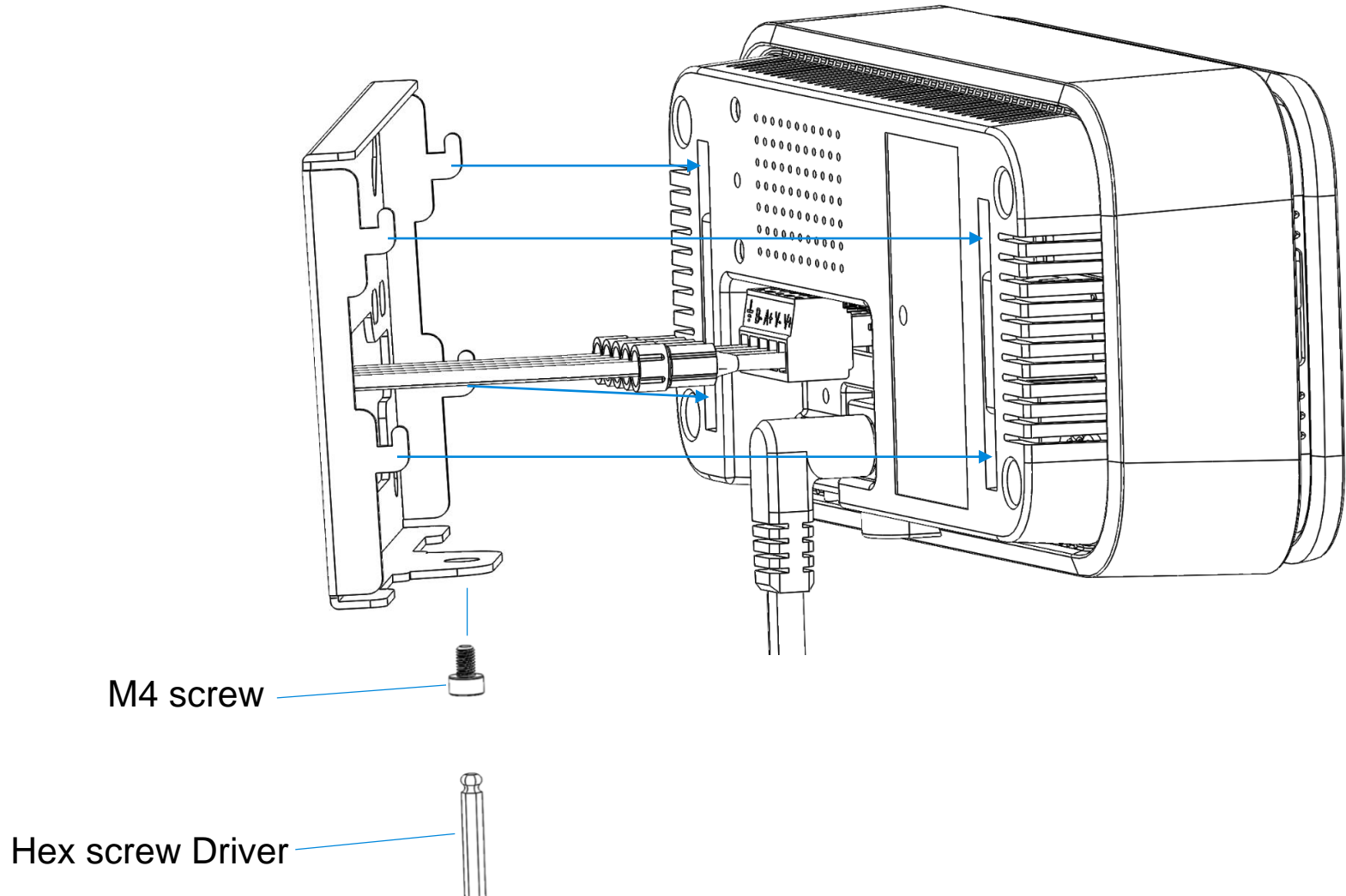
Step 3

Insert terminal plug and DC power plug to UNOLite

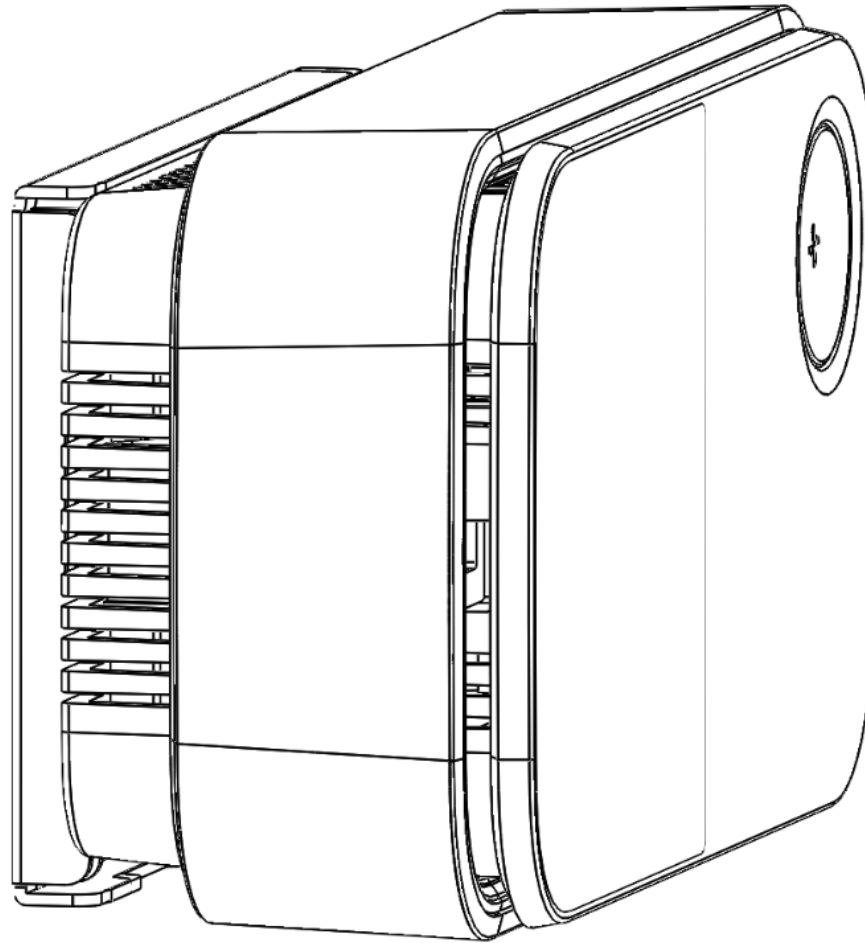


Step 4

**Mount UNOlite on four buckles of Wall Mount
Fix UNOlite with M4 screw by Hex screw driver**



Finished Installation



Installation Guide for UNO IAQ Sensor

Step 1: Determine Installation Height

The optimal installation height for the product is between 0.8 to 1.5 meters (2.56 to 4.8 feet) from the ground.

Step 2: Choose Installation Method

Option A: Wall Mount Installation

Utilize the wall mount provided in the package.

The wall mount is designed with screw hole spacing (60mm and 84mm) compatible with power boxes in various countries.

Ensure the power box is horizontally installed, following the configuration depicted in Figure 1.

Option B: Power Box Installation

Alternatively, install the product in a power box.

Step 3: Arrange Power and Data Lines

Before proceeding with installation, ensure that power supply and data lines are laid out as per the specifications.

Step 4: Mount the Product

Follow these steps:

Refer to Figure 2 for guidance.

Attach and secure the wall mount, confirming all four buckles are properly affixed.

Step 5: Secure Installation

Proceed as follows:

Refer to Figure 3.

Use an M4 hex socket screws along with a hexagonal screwdriver to fasten the product securely in place.

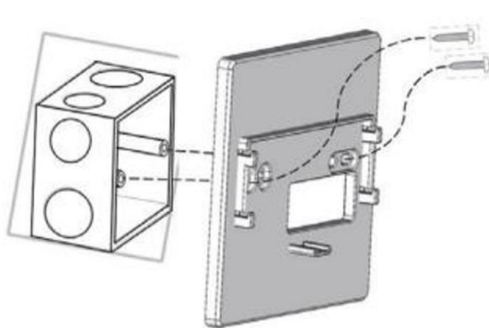


Fig 1.

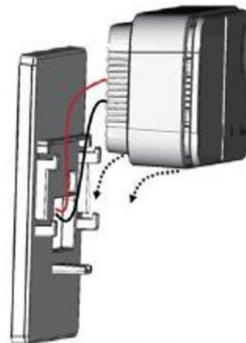


Fig 2.

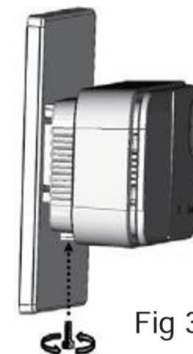


Fig 3.

Smarter. Greener. Together.

