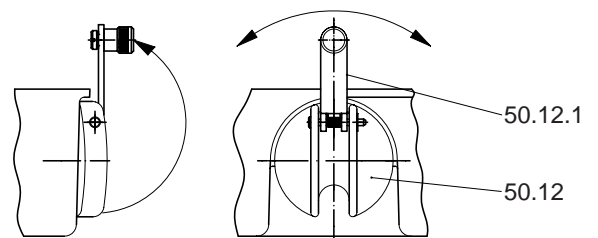


Auto/Man



ATTENTION!

- The handwheel always rotates during motor-driven operation (running indicator). Never activate manual operation while the motor is running. Injury hazard!
- In the manual operating mode pay careful attention in the final positions that the handwheel is only turned to the point where the torque switch trips (audible click) as otherwise damage will be caused to the thrust actuator! Since the handwheel always follows during motor-driven operation (running indication), never operate by hand while the motor is running - potential injury hazards!

M22A and M50A

Two-way valve
V222, V292, DN125, 150

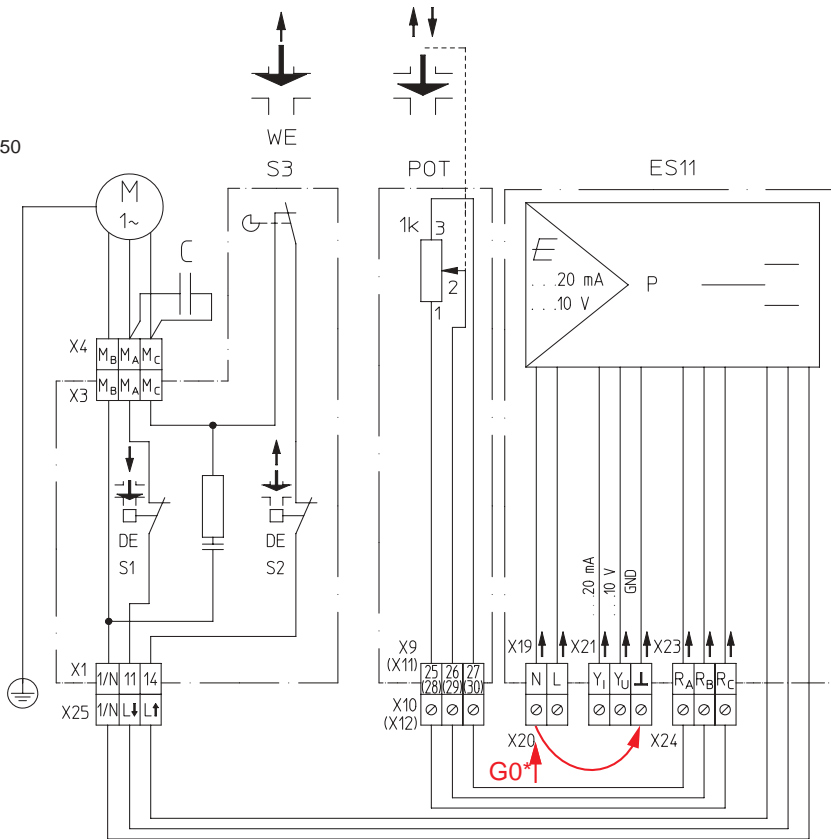
1/N	N (MP)
11	Closed
14	Open

Three-way mix. valve
V321, DN125-150

1/N	N (MP)
11	A-AB Open
14	B-AB Open

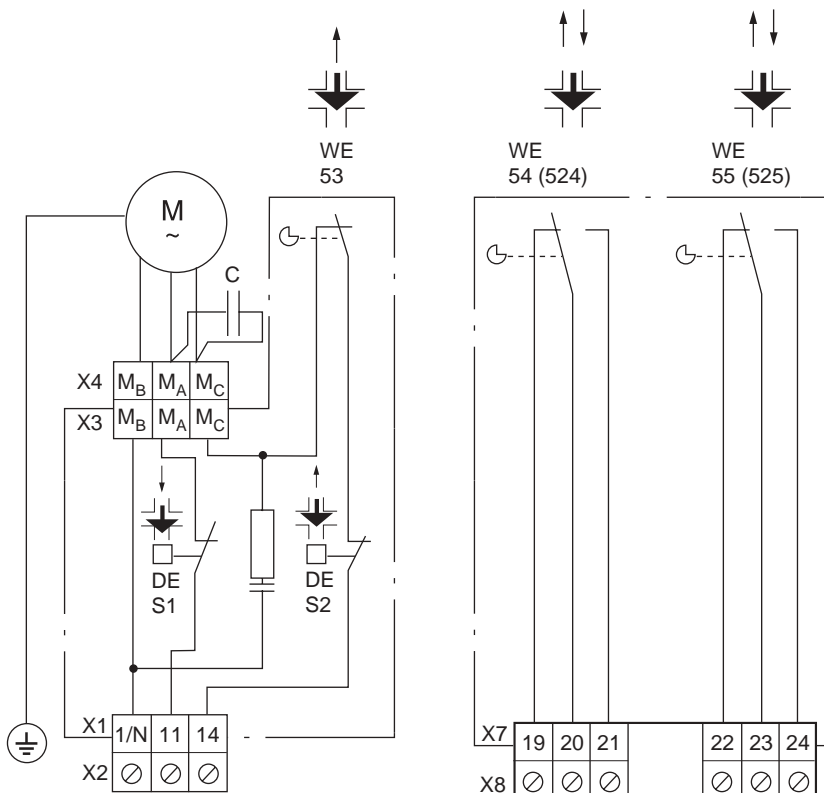
Three-way div. valve

1/N	N (MP)
11	AB-B Open
14	AB-A Open



M22B and M50B

M22B-S2 and M50B-S2



Note: When the actuator is delivered from factory mounted on a valve the actuator is adjusted to the valve. If the actuator is disassembled from the valve it has to be adjusted when it is mounted on the valve again. See M22/M50 Handbook.