

MD40B-24

On/Off or 3-point 24 Vac Damper Actuator 40 Nm (360 in-lb)

Product Description

MD40B damper actuators for operating air control dampers in ventilation and air-conditioning systems for building services installations.

- For air control dampers up to approx. 8 m² (9.6 yard²)
- Torque 40 Nm (360 in-lb)
- Nominal voltage AC/DC 24 V
- Control: On/Off or 3-point



Features

- Simple direct mounting on the damper spindle with a universal spindle clamp, supplied with an anti-rotation strap to prevent the actuator from rotating.
- Manual operation is possible with the self-resetting pushbutton (the gearing latch remains disengaged as long as the pushbutton is pressed or detented).
- Adjustable angle of rotation with mechanical end stops.
- High functional reliability: The actuator is overload-proof, requires no limit switches and automatically stops when the end stop is reached.

Specifications

Part number	875-1035-000
Power supply	24 Vac $\pm 20\%$, 50/60 Hz, 24 Vdc $\pm 20\%$
Power Consumption	
In operation	4 W @ nominal torque
At rest	2 W
For wire sizing	6 VA
Connection cable	1 m (3.3 ft), 3 \times 0.75 mm ² (AWG 18)
Angle of rotation	max. 95° (adjustable by mechanical stops)
Torque	min. 40 Nm (360 in-lb) @ nominal voltage
Running time	150 s
Direction of rotation	Reversible with switch

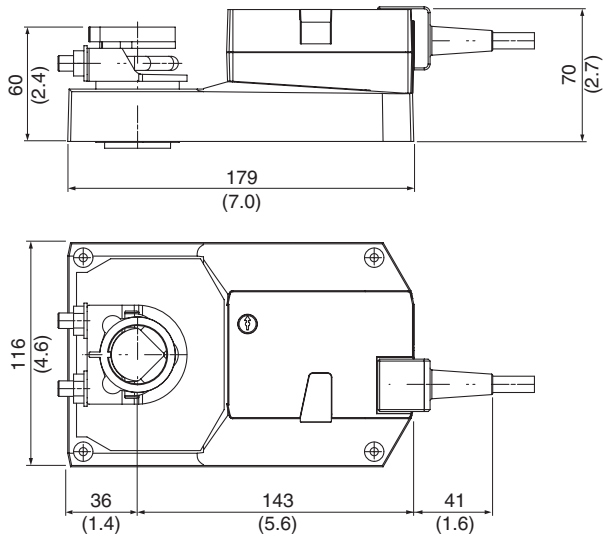
Position indication	Mechanical
Standards Conformity	
EMC, emission	SS EN 50081-1
EMC, immunity	SS EN 50082-1
Protection class	III Safety extra-low voltage
Enclosure rating	IP 54
Ambient humidity	95% rH (EN 60730-1)
Ambient temperature	
Operation	-30...+50 °C (-22 to +122 °F)
Storage	-40...+80 °C (-40...+176 °F)
Sound power level	max. 45 dB (A)
Maintenance	Maintenance-free
Weight	Approx 1,7 kg (3.8 lb.)

North America (USA): +1 888 444 1311
 Europe, Middle East & Africa (Sweden): +46 10 478 2000
 Asia Pacific (Singapore): +65 6484 7877
 product.support@schneider-electric.com
 www.schneider-electric.com

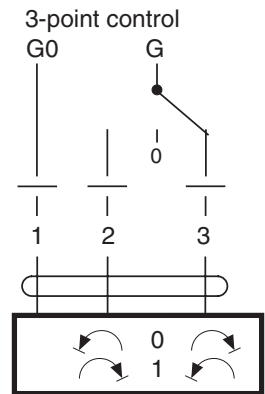
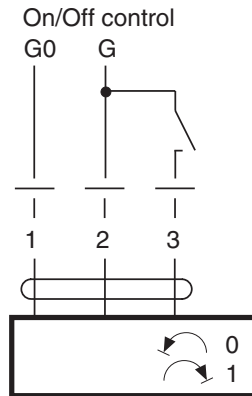
Life Is On

Schneider
Electric

Dimensions mm (in)



Direction of rotation



Damper spindle (in.)	Length mm (in.)	⊙I◇ mm
Clamp on top	min. 42 (1.65)	14 ... 26 (0.55 ... 1.02)
Clamp on bottom	min. 20 (0.78)	14 ... 26 (0.55 ... 1.02)

Wiring

Connection via safety isolating transformer!

Other actuators can be connected in parallel. Please note the performance data.

Accessories

Please refer to data sheet G-30-90 "Accessories Damper Actuators" 0-003-2251.