



DESCRIPTION

51F

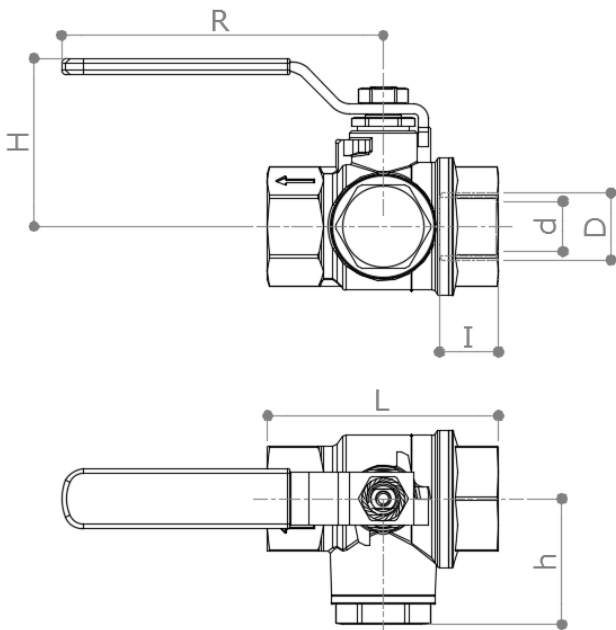
F x F heavy duty ballvalve **Filterball®** with integrated strainer FM28. Very easy to inspect and maintain.

Reversible blue steel handle.

Made in DZR alloy.

Conform to **EN 13828** standard

DIMENSIONS



D	½"	¾"	1"	1 ¼"	1 ½"	2"
d	18	20	28.5	35.5	45	56
H	50	50	66	82	89	120
h	37	37	51	60	74	90
I	15	16	21.5	23.5	23.5	28
L	69	69	95	111	127	154
R	95	95	120	150	150	200
Weight [g]	435	445	1145	1900	2800	5390

Dimensions in mm

All threads are conform to ISO 7 or ISO 228 standards

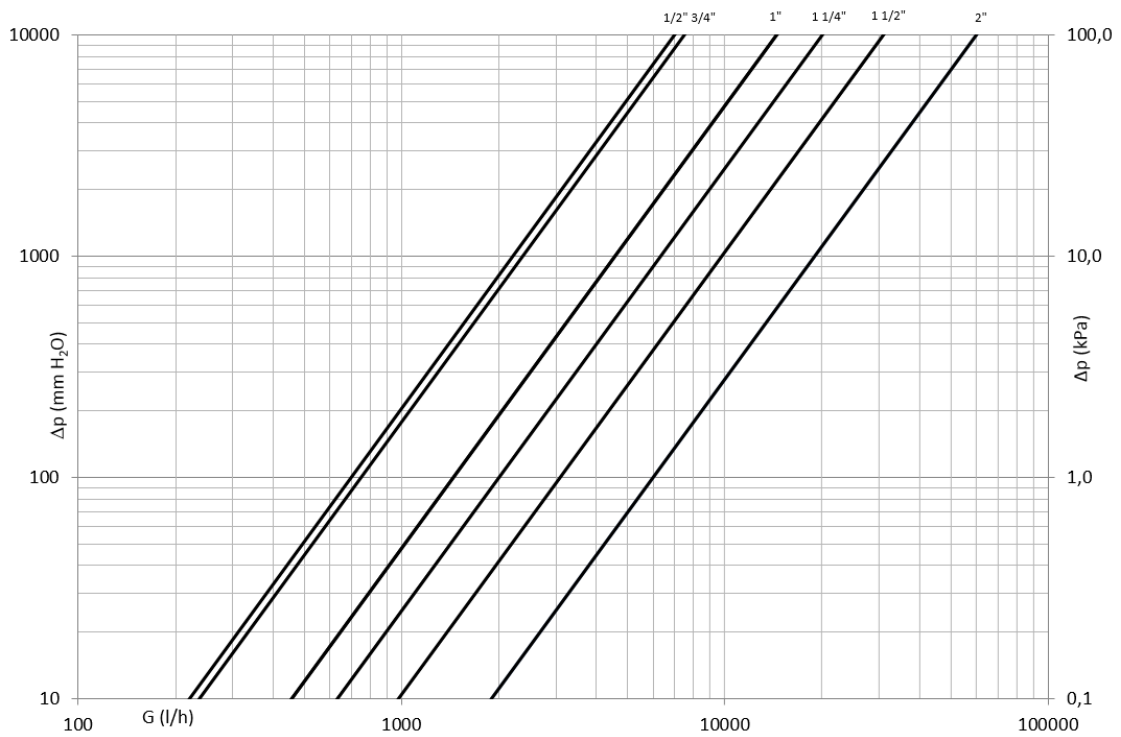
MATERIALS

- Body** CW602N (EN 12167) CuZn36Pb2As
- Ball** CW602N (EN 12167) CuZn36Pb2As Chrome plated
- Stem** CW602N (EN 12167) CuZn36Pb2As
- Stuffing box** CW614N (EN 12164) CuZn39Pb3 Adjustable
- Strainer** Stainless steel
- Seeger** Phosphoric bronze
- Seat** 2 x PTFE + 1 x PTFE on the stem
- O-Rings** 2 x FKM
- Handle** Delta Protect coated steel. PVC grip with "Pad printing"

APPROVALS



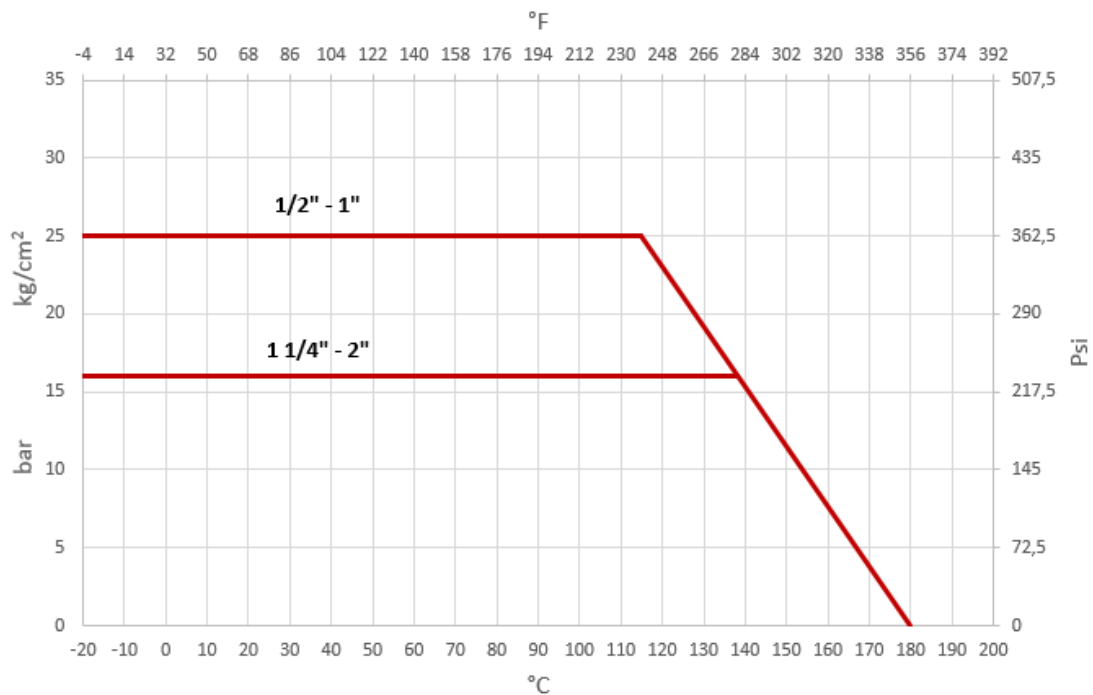
PRESSURE DROP DIAGRAM



Dim.	½"	¾"	1"	1 ¼"	1 ½"	2"
Kv	7	7.5	14.5	20	31	60
PN	25	25	25	16	16	16

Kv values got by using FM28 strainer.

TEMPERATURE / PRESSURE DIAGRAM



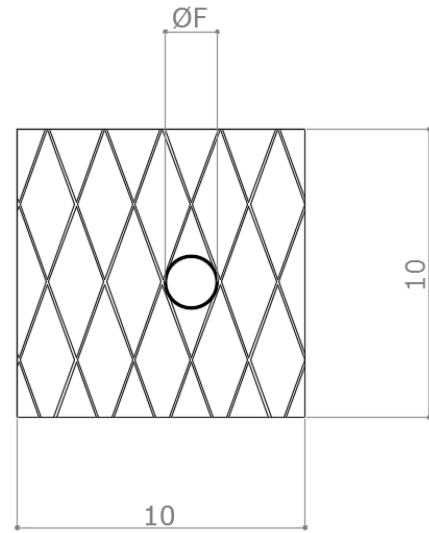
RECOMMENDED WORKING TEMPERATURE/PRESSURE LIMITS

- 16 bar – 100°C – non shock
- 10 bar – 150°C – non shock
- Max differential pressure: 10 bar

AVAILABLE STRAINERS

Here the table with all the available strainers:

Type	Mesh per linear 1"	Filtering capacity	Casing
FM020 FM020N*	20	Ø 800 µm (0,8 mm)	Single
FM028 FM028N*	28	Ø 700 µm (0,7 mm)	Single
FM040 FM040N*	40	Ø 300 µm (0,3 mm)	Single
FM060 FM060N*	60	Ø 230 µm (0,23 mm)	Double
FM080 FM080N*	80	Ø 180 µm (0,18 mm)	Double
FM100 FM100N*	100	Ø 150 µm (0,15 mm)	Double

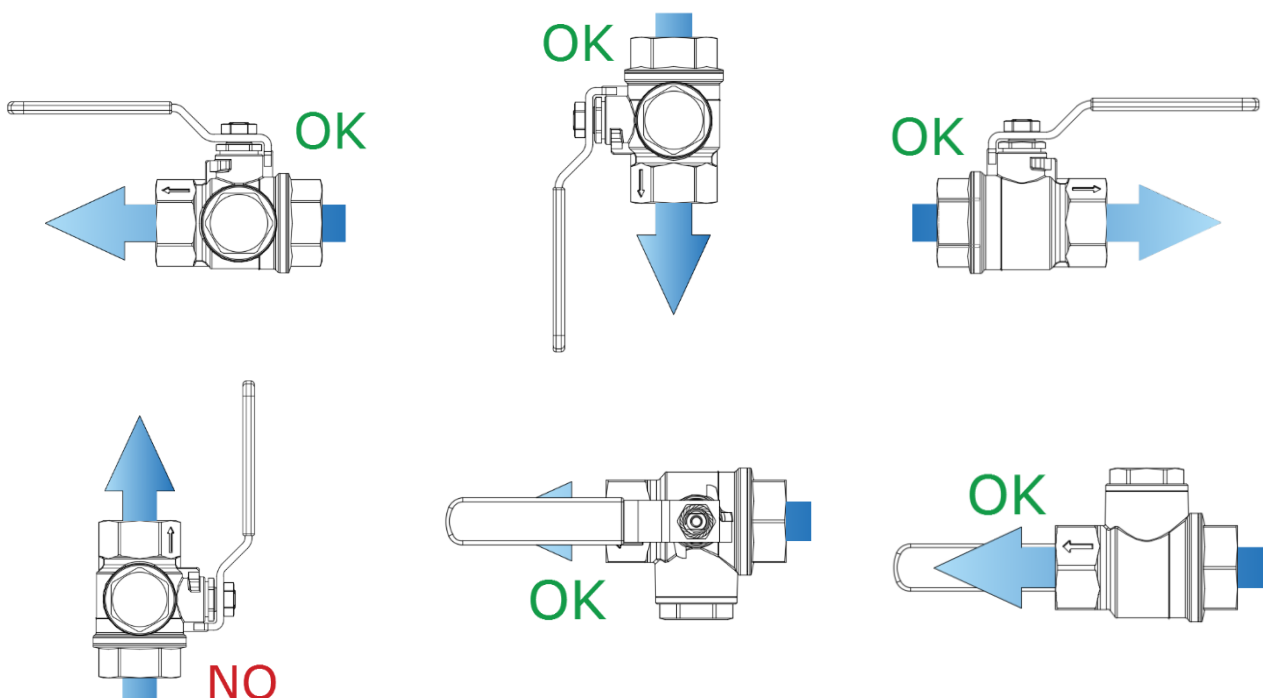


Pressure loss – Kv values

Type	½"	¾"	1"	1 ¼"	1 ½"	2"
FM020 FM020N*	7.4	7.8	15.3	21	33	64
FM028 FM028N*	7	7.5	14.5	20	31	60
FM040 FM040N*	5.2	5.4	12.1	18.6	28	45
FM060 FM060N*	4.4	4.6	11.4	18	27	40
FM080 FM080N*	4.8	5	11.4	18	25.5	44
FM100 FM100N*	4.4	4.6	9	17.7	25	43

* Compatible with Filterball 51F ½" – ¾" starting from production batch 1237

INSTALLATION



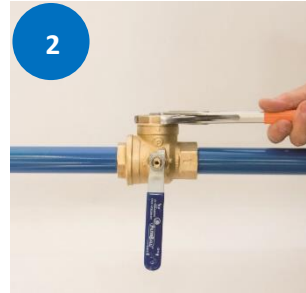
MAINTENANCE

In order to avoid an increasing of pressure losses due to scales, a yearly strainer cleaning is suggested. Please follow the instruction below to carry out the strainer maintenance:



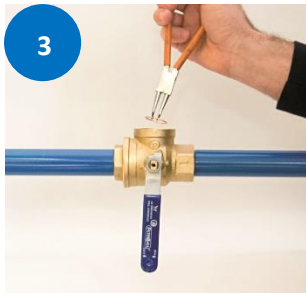
1

- Close the valve



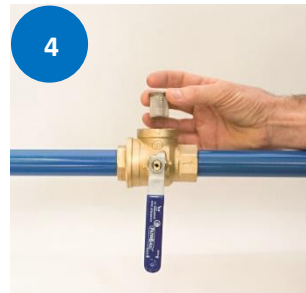
2

- Unscrew the inspection cap



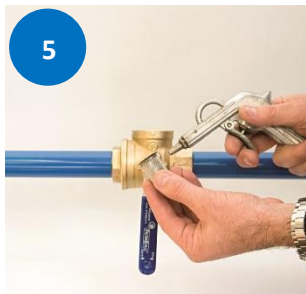
3

- Remove the Seeger ring



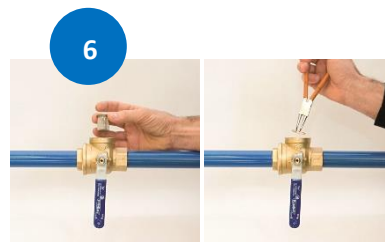
4

- Take the strainer out



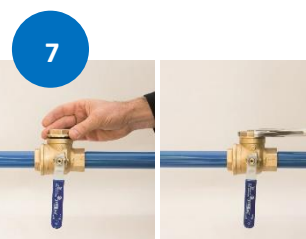
5

- Clean or change the strainer



6

- Insert the strainer and lock it with Seeger ring



7

- Screw and close the cap



8

- Open the valve