



DESCRIPTION

772R

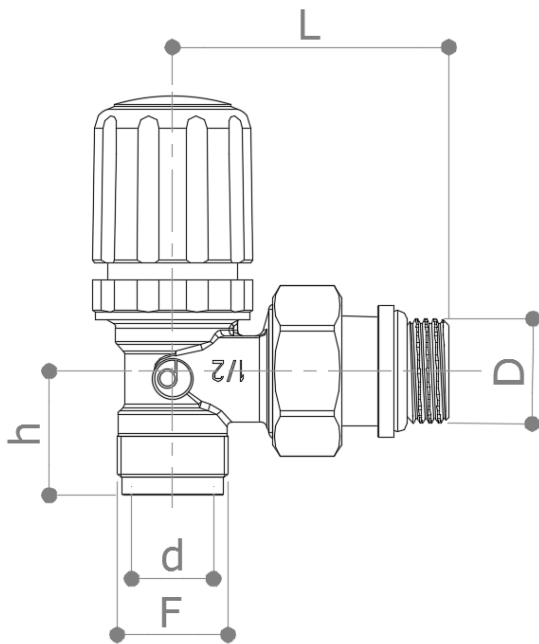
Angle micrometric radiator valve, with thermostatic option or thermo-electric control. Compression end. Radiator connection: union end with O-Ring.

Connection to actuator: **M28 x 1.5 mm**

Nickel plated.

Without fittings.

DIMENSIONS



D x d	3/8" x 16 mm	1/2" x 16 mm	1/2" x 18 mm
F	φ22-19 thr. x 1"	φ22-19 thr. x 1"	φ23-19 thr. x 1"
h	20	24.5	24.5
L	50	53.2	53.2
Weight [g]	180	210	210

Dimensions in mm

All threads are conform to ISO 7 or ISO 228 standards

MATERIALS

- Body** CW617N (EN 12165) CuZn40Pb2
- Union** CW617N (EN 12165) CuZn40Pb2
- Nut** CW617N (EN 12165) CuZn40Pb2
- Stem** AISI303
- Headwork** CW614N (EN 12164) CuZn39Pb3
- Stuffing box** CW614N (EN 12164) CuZn39Pb3
- O-Rings** EPDM-X – EPDM
- Handwheel** ABS

PRESSURE DROP DIAGRAM

Angle

$$\Delta P = \left[\frac{Q}{Kv} \right]^2$$

$$Q = Kv * \sqrt{\Delta P}$$

$$q_{mNH} = 170 \text{ kg/h}$$

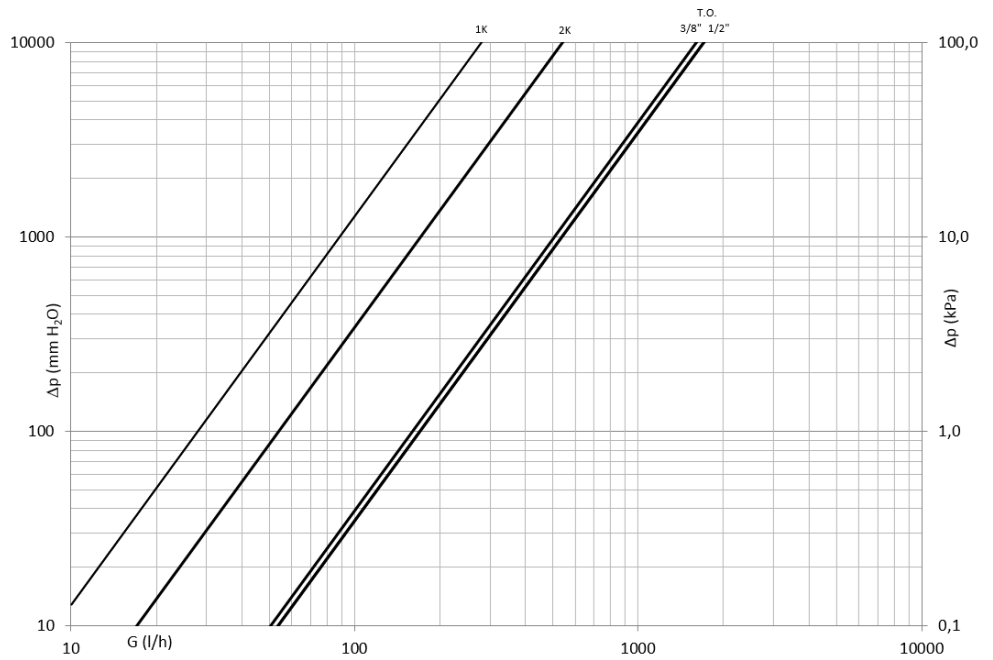
Where

Q is the flow rate [m³/h]

Kv is the flow rate factor [m³/h]

ΔP is the pressure drop across the valve [bar]

ΔT [°C]	Kv	
	3/8"	1/2"
1K	0.28	0.28
2K	0.54	0.54
T.O.	1.60	1.70



T.O.: Total Open

RECOMMENDED WORKING TEMPERATURE/PRESSURE LIMITS

10 bar – 110°C – non shock

AVAILABLE THERMOSTATIC HEAD

106CN



107L



108L



EN215 n°49

109L



EN215 n°49

Additional options are available.

AVAILABLE ADAPTERS

3015 – 3015CR



Polyethylene pipes

3015SCR



Multilayer pipes

3525



Copper pipes

3625



Copper pipes