

Pixsys pressure sensor (Submersible)

Safety standards

Carefully read the instructions and safety measures in this manual before using the device. Disconnect power before performing any interventions on the electrical connections or hardware settings. Only qualified personnel may use/perform maintenance in full respect of the technical data and declared environmental conditions. Do not dispose of electrical appliances together with household waste. In compliance with the European Directive 2002/96/EC, waste electrical equipment must be collected separately for eco-compatible reuse or recycling.

1 Technical specifications


Accuracy	± 0.5% F.S.
Operating and media temperature	- 10°C ... +70°C

Storage temperature	ECL:	- 40°C ... +80°C
---------------------	------	------------------

2 Ordering codes

Item code	Description	Item code	Description	Item code	Description	Item code	Description
2000.40.149	0...200 mbar	2000.40.150	0...400 mbar	2000.40.152	0...600 mbar	2000.40.147	0...10 bar
2000.40.160	0...300 mbar	2000.40.151	0...500 mbar	2000.40.155	0...1 bar		

3 Type label description (example 4...mH2O model)



1 2000.40.150



P0213999999999

2 4 mH2O SUBMERSIBLE PRESSURE
TRANSM - OUT 4...20 mA

Female M10x1 - Cable PUR 10

3 ACCURACY +/-0.5%

MADE IN SWITZERLAND

1 Item code

2 Measuring range

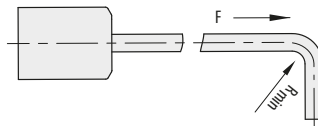
3 Option description

4 Electrical connections

Output	Load resistance	I _{SUPPLY}	U _{SUPPLY}
4 ... 20 mA	(U _{Supply} -9V) / 20mA		24 (9..30) VDC

Features

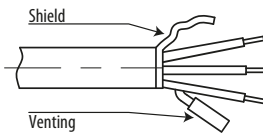
Input Protection IP65



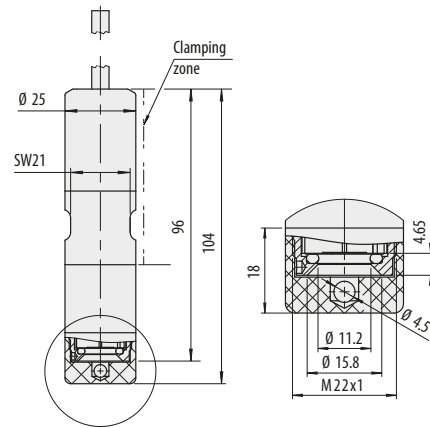
Type code 2000.40.XXX

F = max. 12kg (120 N)
Min. cable bending radius R_{min}:
Electrical connection:
- 2X (PUR): 40 mm;
- 3X (Radox): 60 mm;
- 4X (PE): 30 mm

Pin configuration



4.1 Pressure connection



4.2 Connection of the measuring equipment

