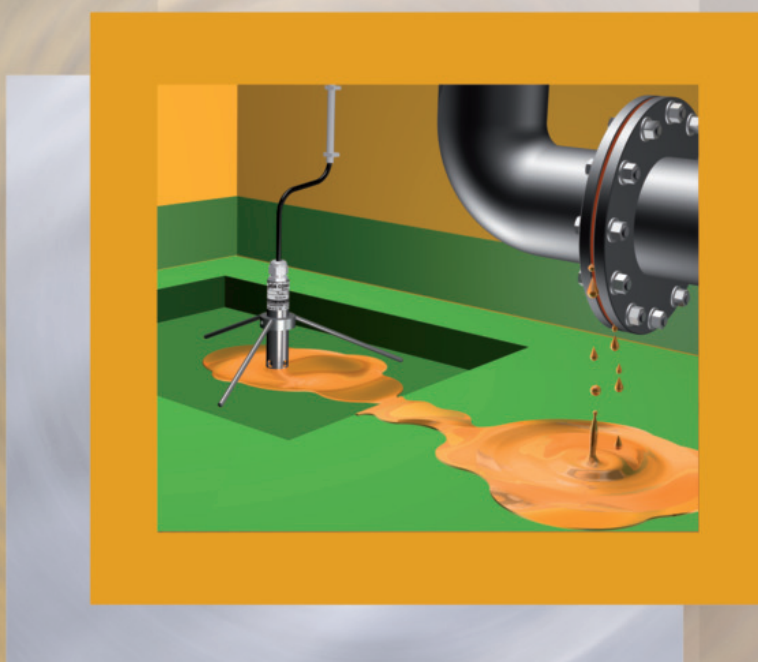




Capacitive leakage detectors of the Leckmaster range

with sensor and relay



Jola Spezialschalter GmbH & Co. KG
Klostergartenstr. 11 • 67466 Lambrecht (Germany)
Tel. +49 6325 188-01 • Fax +49 6325 6396
contact@jola-info.de • www.jola-info.de

**The units described in this documentation
may only be installed, connected,
started up, serviced and replaced
by suitably qualified personnel!**

**Subject to deviations from the diagrams
and technical data.**

**The details in this brochure are product
specification descriptions and do not
constitute assured properties in the legal
sense.**



Capacitive leakage detectors of the Leckmaster range

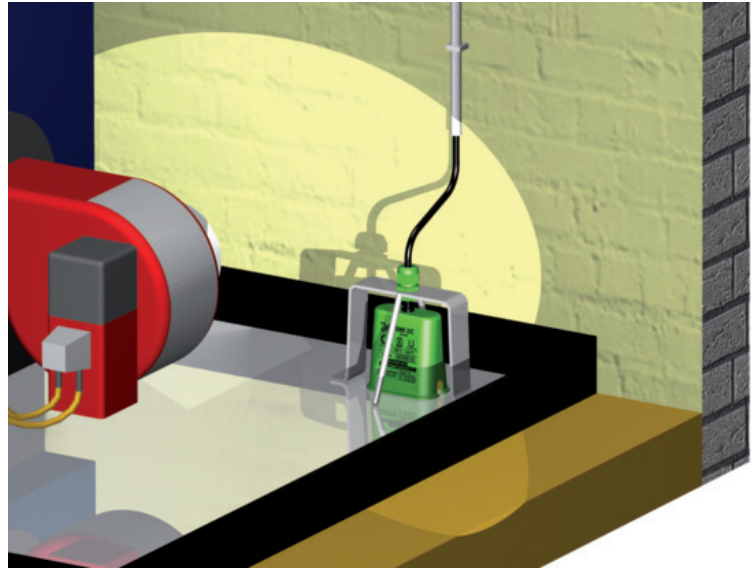
Contents	Page
Capacitive leakage detectors of the Leckmaster range - General	31-3-3
The capacitive measuring principle	31-3-4
Application examples with capacitive sensors	31-3-5
Capacitive Sensors	
• CPE with housing made of PP	31-3-7
• OWE 2/C with housing made of PP	31-3-8
• COW with housing made of stainless steel	31-3-9
Capacitive relays	
• Leckmaster 101	31-3-11
• Leckmaster 155	31-3-13
Connection box	
• VK 1/5	31-3-18



Capacitive leakage detectors of the Leckmaster range - General

- with integrated cable break monitoring
- for signalling the presence of electrically non-conductive low-viscosity liquids on the floor of normally dry collection rooms or collection tubs, for example for signalling the presence of fuel oil on the floor of a normally dry tank room or in a collection tub underneath a fuel oil burner

Use of an OWE 2/C capacitive sensor with mounting stand for detection of a leakage in a collection tub underneath a fuel oil burner



The Leckmaster leakage detectors consist of:

- one or several **CPE**, **OWE 2/C** or **COW** capacitive sensor(s) and
- a **Leckmaster 101** or **Leckmaster 155** capacitive relay.

Only one CPE, OWE 2/C or COW capacitive sensor is destined for connection to a Leckmaster 101 capacitive relay.

Up to 5 capacitive sensors can be connected to a Leckmaster 155 capacitive relay.

The **CPE** sensor must be installed on the floor in such a way that the sensor side faces downwards and the label side upwards.

The **OWE 2/C** and **COW** sensors can be mounted either

- upright on the floor (using the mounting stand offered by Jola as an option) or
- freely suspended by their cable above the floor.

The CPE, OWE 2/C and COW sensors should only be used in normally dry surroundings – e.g. in normally dry collection rooms or collection tubs.

The **Leckmaster 101** relay is designed for DIN rail mounting or fastening via 2 boreholes. The various operating statuses are shown by 3 coloured LEDs.

The **Leckmaster 155** relay is designed for surface mounting. The various operating statuses are shown by 5 x 3 coloured LEDs.

Areas of application:

All organic and inorganic liquids with specific dielectric constants between 2 (CPE) or 1.8 (OWE 2/C and COW) and 109.

Prerequisite is that these liquids, dependent on the ambient temperature, are present in fluid form, and that the sensors to be used will be sufficiently wetted.

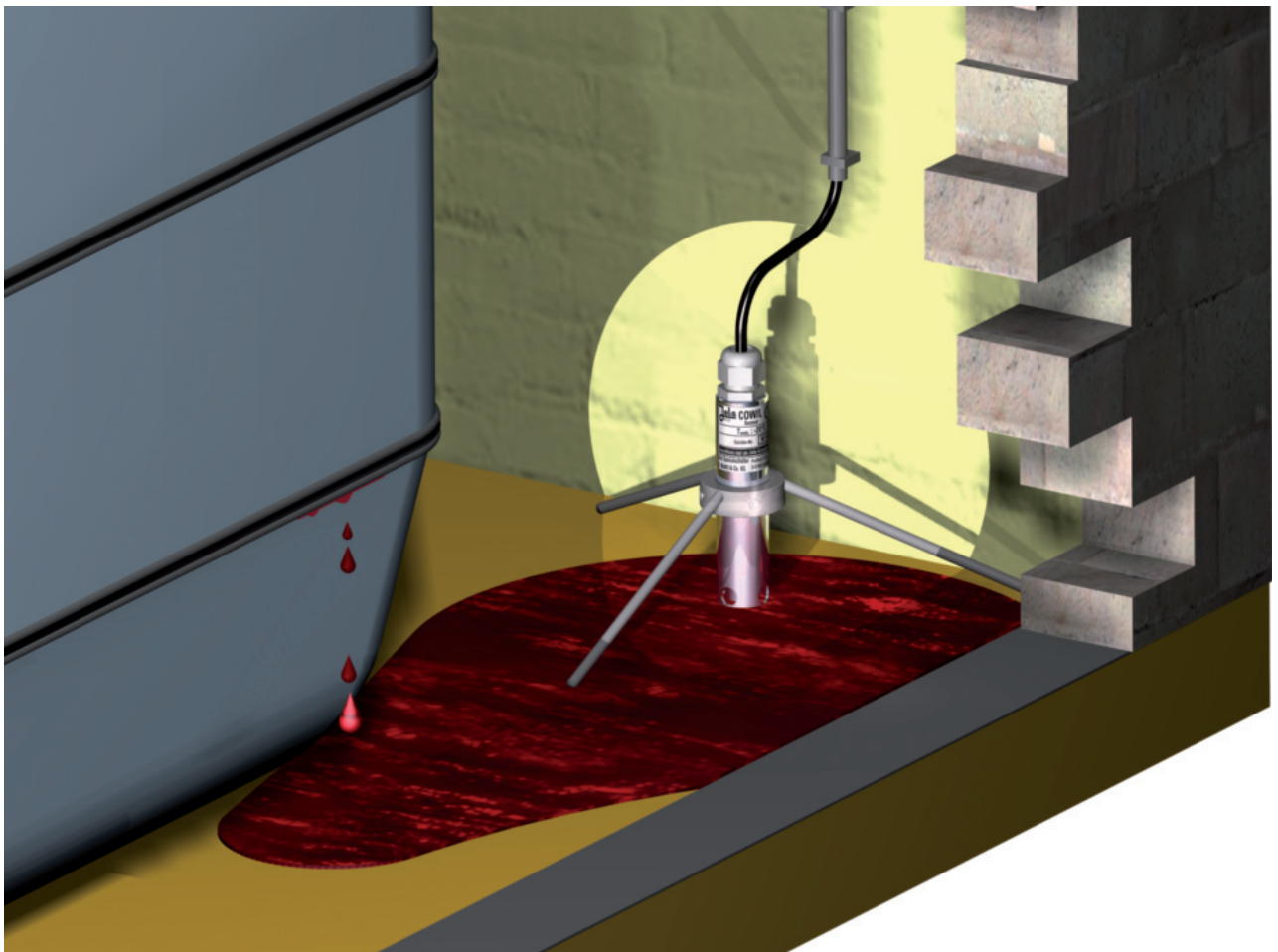


The capacitive measuring principle

The capacitive measuring principle is mainly used for the detection of **electrically non-conductive (insulating) liquids**, but it can also be used to detect electrically conductive liquids.

Electrically non-conductive liquids are generally organic liquids like oils and solvents. An electrode assembly forms a measuring capacitor, and the dielectric is either air or liquid. The dielectric constant of air is 1. The dielectric constant of the liquid to be detected is higher. For our capacitive sensors, the dielectric constant has to be higher than 2 (type CPE) or 1.8 (types OWE 2/C and COW).

The capacitive leakage detector recognises a change in the dielectric constant at the measuring capacitor and an alarm signal is emitted. The design of the measuring capacitor allows direct mounting on the floor and generally rules out the possibility of interference effects due to different subsurfaces.

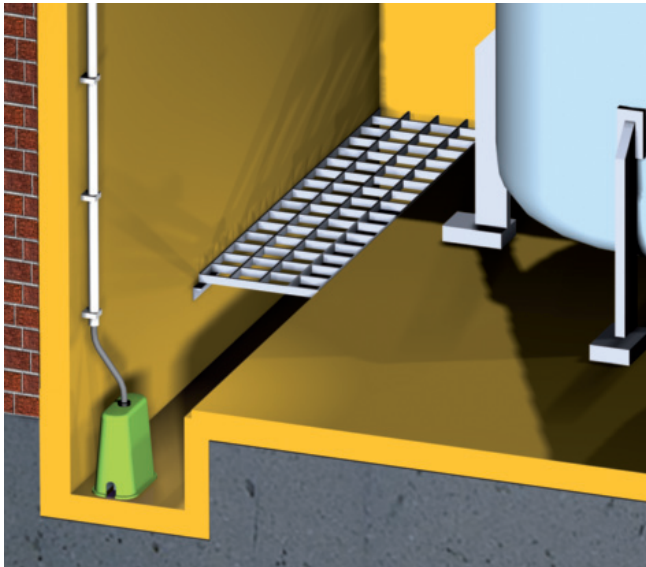
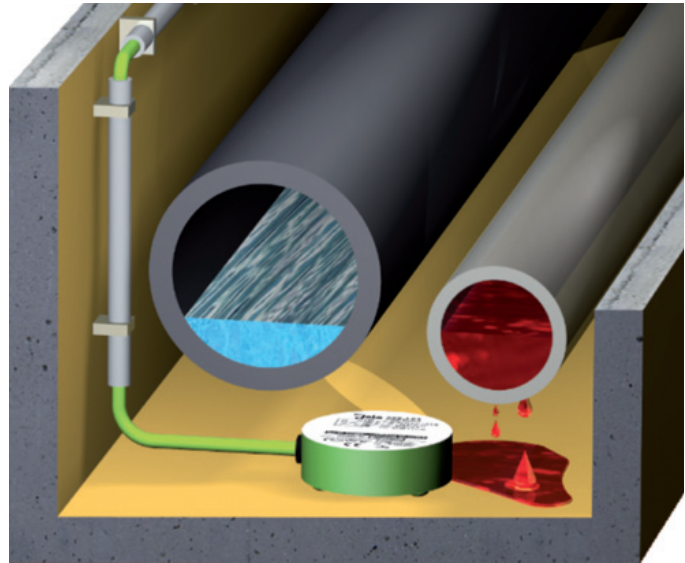


Use of a COW capacitive sensor with mounting stand for leakage detection of an oil leakage in a collection room



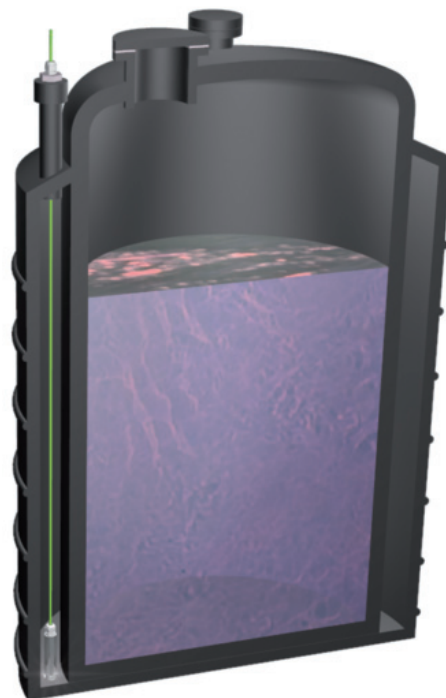
Application examples with capacitive sensors

Use of a CPE capacitive sensor for leakage detection of a liquid in a pipe duct



Use of an OWE 2/C capacitive sensor for leakage detection of a liquid at the lowest point (groove in the picture) of a collection room

Use of a COW capacitive sensor for leakage detection in the collection tub of a storage tank for water-polluting liquids





Capacitive sensors



CPE label side



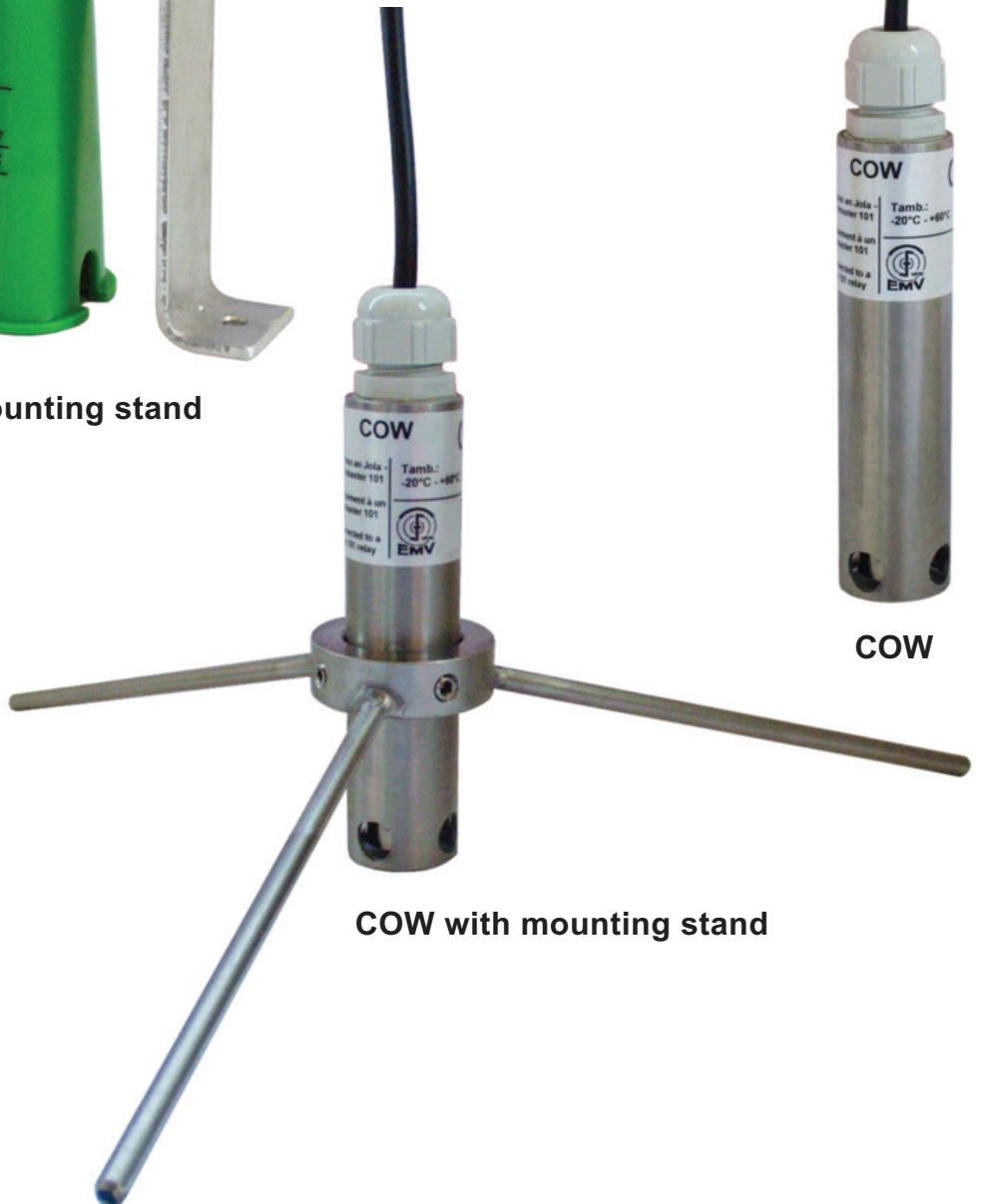
CPE sensor side



OWE 2/C with mounting stand



OWE 2/C



COW with mounting stand



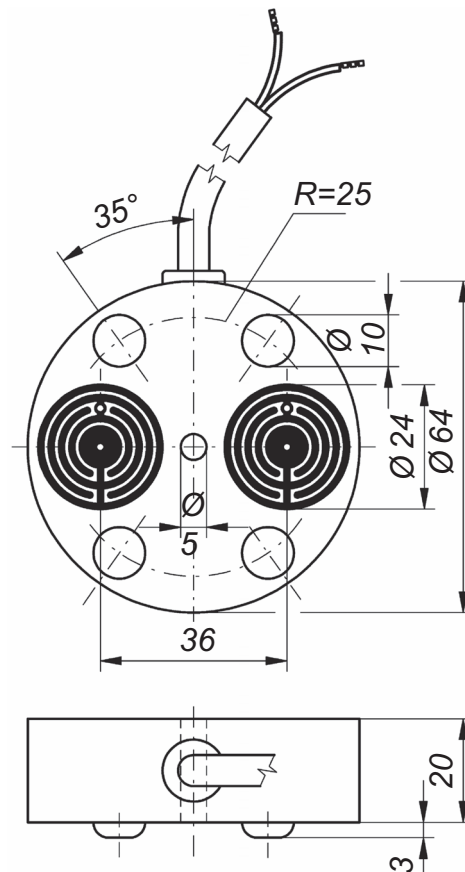
COW



CPE capacitive sensor

• with housing made of PP

Technical data	CPE
Housing	PP and cast resin
Electrical connection	TPK cable, 2X0.75 mm ² , length 5 m, on request: <ul style="list-style-type: none">• longer• made of PTFE
Sensitive elements	2 round PCBs with gold-plated concentric strip conductors form 2 detection capacitors
Protection class of the electronics sealed in the housing	IP65
Response height from the ground	approx. 3 mm
Min. required dielectric constant of the liquid to be detected	2.0
Temperature range	- 20°C to + 60°C
Max. length of connecting cable	1,000 m between sensor and relay
EMC	<ul style="list-style-type: none">• for interference emission in accordance with the appliance-specific requirements for households, business and commerce as well as small companies• for interference immunity in accordance with the appliance-specific requirements for industrial companies



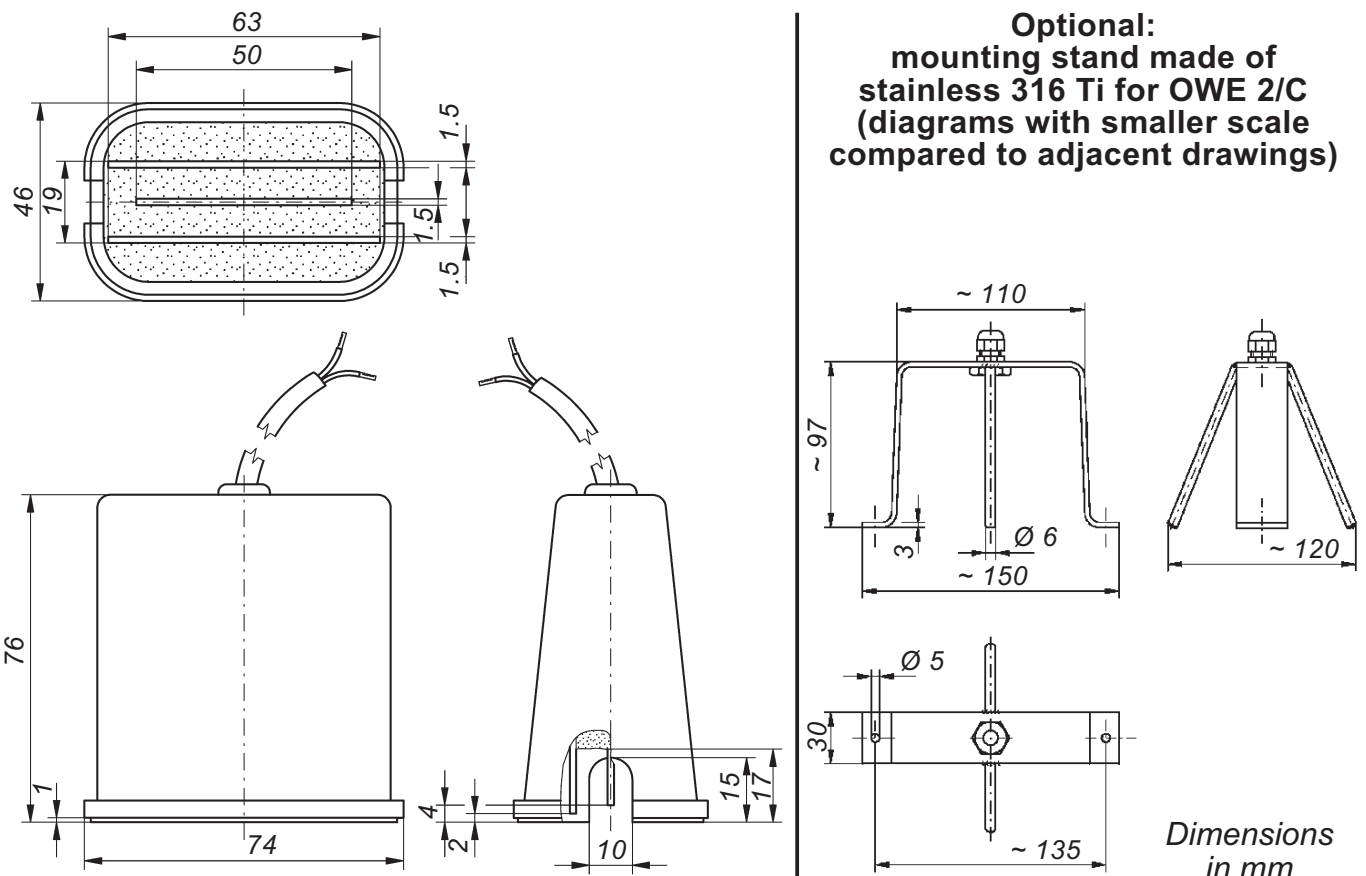
Dimensions in mm



OWE 2/C capacitive sensor

- with housing made of PP
- with DIBt certificate Z-65.40-297

Technical data	OWE 2/C
Housing	PP and cast resin
Electrical connection	TPK cable, 2X0.75 mm ² , length 5 m, on request: <ul style="list-style-type: none"> • longer • made of PTFE
Sensitive elements	2 outer gold-plated capacitor plates and 1 double-sided inner gold-plated capacitor plate form 2 detection capacitors
Protection class of the electronics sealed in the housing	IP65
Response height from bottom edge of housing	≥ 12 mm (depending on the dielectric constant of the liquid)
Min. required dielectric constant of the liquid to be detected	1.8
Temperature range	- 20°C to + 60°C
Max. length of connecting cable	1,000 m between sensor and relay
EMC	<ul style="list-style-type: none"> • for interference emission in accordance with the appliance-specific requirements for households, business and commerce as well as small companies • for interference immunity in accordance with the appliance-specific requirements for industrial companies
Mounting stand (optional)	stainless steel 316 Ti

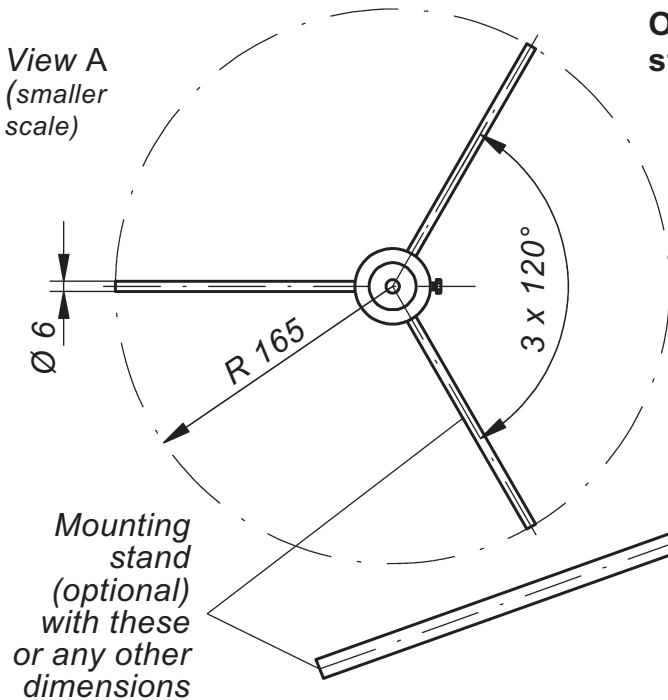
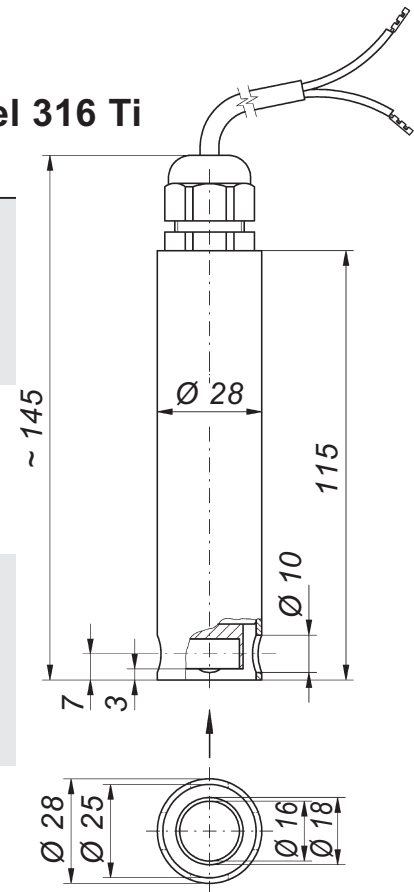




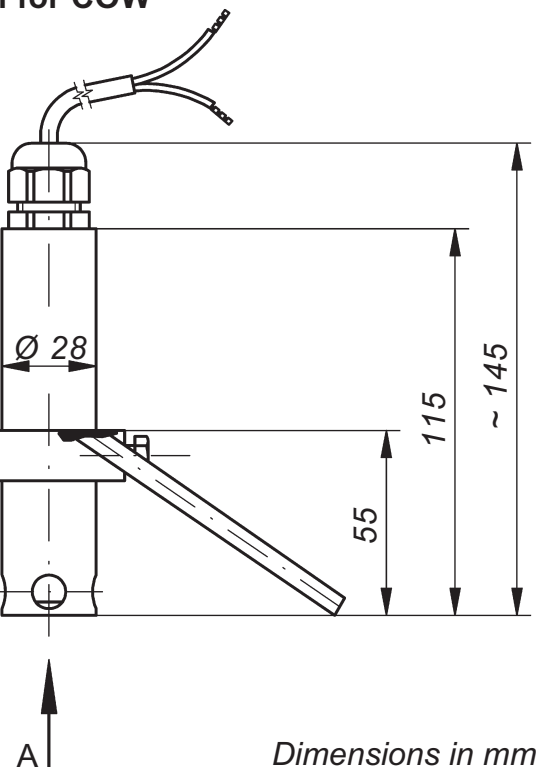
COW capacitive sensor

• with housing made of stainless steel 316 Ti

Technical data	COW
Housing	stainless steel 316 Ti and PTFE
Electrical connection	TPK cable, 2X0.75 mm ² , length 5 m, on request: <ul style="list-style-type: none"> • longer • made of PTFE
Sensitive elements	a stainless steel housing used as a guard electrode and an inner cylinder used as a measuring electrode form a detection capacitor
Protection class of the electronics sealed in the housing	IP65
Response height from bottom edge of housing	≥ 12 mm (depending on the dielectric constant of the liquid)
Min. required dielectric constant of the liquid to be detected	1,8
Temperature range	- 20°C to + 60°C
Max. length of connecting cable	1,000 m between sensor and relay
EMC	<ul style="list-style-type: none"> • for interference emission in accordance with the appliance-specific requirements for households, business and commerce as well as small companies • for interference immunity in accordance with the appliance-specific requirements for industrial companies
Mounting stand (optional)	stainless steel 316 Ti



Optional: mounting stand made of stainless steel 316 Ti for COW



Dimensions in mm



Leckmaster 101 capacitive relay

• with DIBt certificate Z-65.40-297

- for connection of 1 CPE, OWE 2/C or COW capacitive sensor
- with cable break monitoring feature and switchable self-hold
- with 1 potential-free changeover contact at the output

Capacitive relay for DIN rail mounting or fastening via 2 boreholes, with connection terminals on top and with 3 LEDs for signalling the operating statuses

The unit is designed for switch cabinet mounting or installation in a suitable protective housing and may therefore only be mounted / installed in these locations. It is suitable for use in clean environments only.

Self-hold:

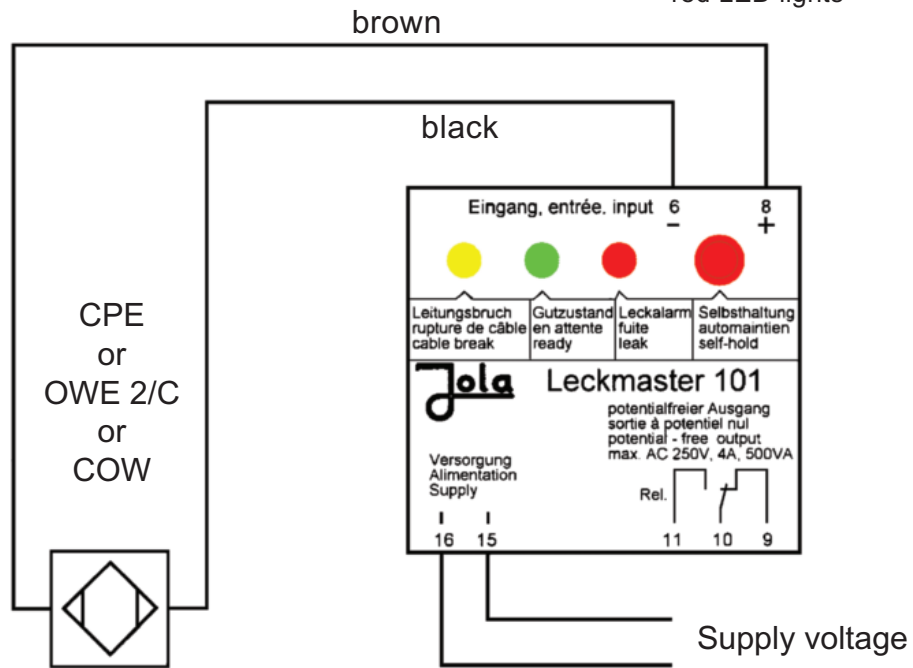
- If the switch for self-hold is switched on, an alarm is stored. The relay continues to signal the alarm even if the cause of the alarm (e.g. the presence of water or a cable break) is no longer present – in other words, if the sensor is dry again or if the line has contact. The alarm is acknowledged by switching off the switch for self-hold.
- If the switch for self-hold is not switched on, the alarm is not maintained when the cause of the alarm has been remedied but is terminated.



Technical data	Leckmaster 101
Supply voltage (AC versions: terminals 15 and 16, DC versions: • terminal 15: – • terminal 16: +)	AC 230 V, on request: AC 240 V, AC 115 V, AC 24 V, DC 24 V, } only for connection to a safety low voltage DC 12 V } according to the safety regulations relating to the application or further supply voltages
Power consumption	approx. 3 VA
Sensor circuit (terminals 6 and 8)	2 terminals (under safety extra low voltage SELV), acting on 1 output relay with switchable self-hold
No-load voltage	DC 8.4 V (safety extra low voltage SELV)
Short circuit current	< 10 mA
Response sensitivity	1.5 mA \square 1.8 mA
Cable break monitoring	I < 0.15 mA
Power circuit (terminals 9, 10, 11)	1 single-pole potential-free changeover contact based on the quiescent current principle
Switching status indication	via 3 LED (see next page)
Switching voltage	max. AC 250 V
Switching current	max. AC 4 A
Switching capacity	max. 500 VA
Housing	insulating material, 75 x 55 x 110 mm
Connection	terminals on top of housing
Protection class	IP20
Mounting	on 35 mm DIN rail or fastening via two boreholes
Mounting orientation	any
Temperature range	– 20°C to + 60°C
Max. length of connecting cable	1,000 m between relay and sensor
CEM	<ul style="list-style-type: none"> • for interference emission in accordance with the appliance-specific requirements for households, business and commerce as well as small companies • for interference immunity in accordance with the appliance-specific requirements for industrial companies

Connection diagram Leckmaster 101 relay

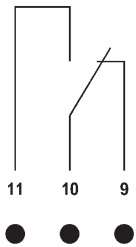
yellow LED flashes = cable break
 green LED lights = standby
 red LED lights = leakage alarm



Position of contact when Leckmaster 101 without voltage

Position of the output contact of the Leckmaster 101 relay

Leckmaster 101 without voltage



LEDs dark:

output relay not energised

Leckmaster 101 under voltage cable break



yellow LED flashes:
 cable break in sensor or its connecting cable,

output relay not energised

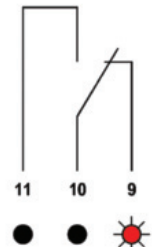
Leckmaster 101 under voltage standby



green LED lights:
 sensor not activated,

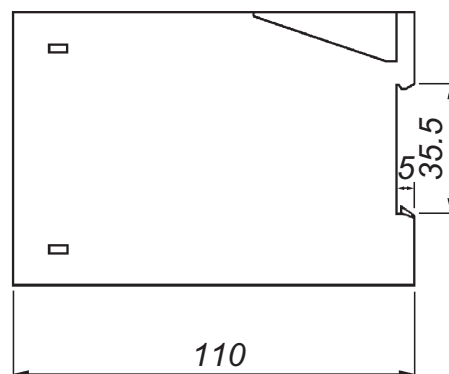
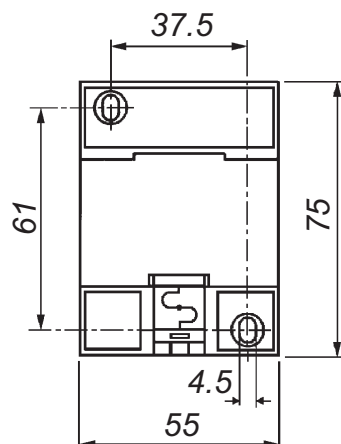
output relay energised

leakage



red LED lights:
 sensor activated,

output relay not energised



Dimensions in mm



Leckmaster 155 capacitive relay

- for the connection of 5 CPE, OWE 2/C or COW capacitive sensors
- with cable break monitoring feature
- with touch sensor button for alarm acknowledgement
- with 2 potential-free changeover contacts at the output and
- with 5 status signal outputs DC 20 V for the building control system

Capacitive relay in surface-mount housing, with transparent cover, with 5 x 3 LEDs for operating status indication and with 1 LED for acknowledgement status indication, inside the housing



• Signalling lines

The Leckstar 155 electrode relay possesses inputs for the connection of 5 signalling lines. Each line allows the connection of one CPE, OWE 2/C or COW capacitive sensor.

Each capacitive sensor needs a quiescent current to permit cable break monitoring. Each line must therefore be composed of only one capacitive sensor.

The sensor circuits are supplied with a safety extra low voltage generated in the Leckmaster 155 which is reliably galvanically separated from the mains circuit and the potential-free changeover contacts of the two output relays.

All 5 signalling lines have a common system ground, which means there is no galvanic separation of the signalling lines. This factor must always be taken into account in the case of long signalling lines extending into different parts of the building and in particular with the use of COW capacitive sensors and for the detection of conductive liquids.

There is a risk of formation of ground loops if the sensors are mounted in such a way that a sensor can take on ground potential. It may be necessary to perform local potential equalisation in order to avoid potential equalisation currents via the signalling lines.

• Activation of the individual signalling lines

If not all 5 signalling lines are to be used, the signalling lines 2 to 5 can be activated (dip switch in active position) or deactivated (dip switch in inactive position) individually via 4 dip switches. Channel 1 is always activated.

Activation / Deactivation may only be performed in currentless status.

• **Type of indication**

A group of 3 LEDs of different colours is assigned to each signalling line.

Operating status	Type of indication of each signalling line
Power supply	When the supply voltage is switched on, one of the three LEDs on each activated signalling line lights up to indicate the operating status of the activated signalling line in question
Leakage	Red LED lights, if the corresponding activated signalling line reports leakage <ul style="list-style-type: none"> • with effect on the two power circuits • with effect on the corresponding DC 20 V status signal output for the building control system
Standby	Green LED lights, if the corresponding activated signalling line reports standby <ul style="list-style-type: none"> • with effect on the corresponding DC 20 V status signal output for the building control system Only if all activated signalling lines indicate standby <ul style="list-style-type: none"> • with effect on the two power circuits
Cable break	Yellow LED flashes, if the corresponding activated signalling line reports cable break <ul style="list-style-type: none"> • with effect on the two power circuits • with effect on the corresponding DC 20 V status signal output for the building control system
Signalling line switched to inactive	None of the 3 LEDs in the deactivated signalling line (signalling line 2 to 5) lights up.

• **Power circuits**

Two potential-free changeover contacts are available at the output, one of which reacts based on the working current principle and the other on the quiescent current principle. In addition, there is a DC 20 V binary status output signal based on the quiescent current principle for each signalling line for the building control system. The potential-free changeover contact based on the working current principle can be acknowledged via a touch sensor button acting through the housing cover of the unit.

Power circuits	Switching statuses
Output relay 1 in working current principle	Output relay 1 is not energised in currentless status of the Leckmaster 155 and in the standby status of all activated signalling lines. In the event of leakage or cable break in one or more activated signalling lines, output relay 1 is energised if the alarm has not been acknowledged. Output relay 1 can be acknowledged / reset using the touch sensor button.
Output relay 2 in quiescent current principle	Output relay 2 is energised in standby status of all activated signalling lines. Output relay 2 is not energised in currentless status of the Leckmaster 155 and in the case of leakage or cable break in one or more activated signalling lines.
5 status signal outputs (DC 20 V) for the building control system	A DC 20 V binary switching status output signal in quiescent current principle is available for each of the 5 signalling lines: High signal, DC 20 V = standby status of the activ. signalling line Low signal, DC 0 V = <ul style="list-style-type: none"> • currentless status of the Leckmaster 155 or • leakage or cable break in the activated signalling line or • signalling line that is switched inactive The 5 outputs are short circuit-protected and have a common reference ground.

Technical data	Leckmaster 155
Supply voltage (terminals 1 and 2)	AC 230 V, other supply voltage, e.g. DC 24 V, on request approx. 3 VA
Power consumption Sensor circuit (one of the two ground terminals = ground and E1 to E5 = control inputs)	5 terminals under safety extra low voltage, for 5 signalling lines without mutual galvanic separation, with a common ground connection. Connection of the signalling lines is to be made via a 6-core cable and an additional VK 1/5 connection box (see page 31-3-18). Local potential equalisation is to be performed to avoid ground loops in critical installations (see page 31-3-13). DC 8.4 V (safety extra low voltage) < 10 mA 1.5 mA \square 1.8 mA I < 0,15 mA
No-load voltage Short circuit current Response sensitivity Cable break monitoring 1 st power circuit (output relay 1 - terminals 3, 4, 5) 2 nd power circuit (output relay 2 - terminals 6, 7, 8) Electrical values of the potential-free changeover contacts: • switching voltage • switching current • switching capacity	1 single-pole potential-free changeover contact based on the working current principle, for group alarm in the event of leakage or cable break, can be acknowledged via the touch sensor button 1 single-pole potential-free changeover contact based on the quiescent current principle, for group alarm in the event of leakage or cable break max. AC 250 V max. AC 4 A max. 500 VA
Status signal outputs for the building control system (one of the two ground terminals = ground and A1 to A5 = control outputs)	5 terminals under safety extra low voltage for DC 20 V binary switching status output signal of each of the 5 signalling lines, without mutual galvanic separation, with a joint ground connection. For connection to the building control system (e.g. PLC) opto-couplers should be fitted for the purpose of galvanic separation. Standby of the signalling line: High signal (DC 20 V) Leakage/cable break/deactivated line: Low signal (DC 0 V) DC 20 V (sufficient for 24 V inputs, as at least 15 V are normally required for High signal) short circuit current limitation with \leq 30 mA
No-load voltage	DC 20 V (sufficient for 24 V inputs, as at least 15 V are normally required for High signal)
Short circuit protection	short circuit current limitation with \leq 30 mA

Technical data	Leckmaster 155
Switching status indication for the activated signalling lines	optical indication for each of the 5 activated signalling lines by 3 differently coloured LEDs in each case
<ul style="list-style-type: none"> the red LED of one or more signalling lines lights up 	<p style="text-align: center;">Leakage</p> output relay 1 is energised (working current principle) output relay 2 is not energised (quiescent current principle) output signal of the corresponding signalling line(s) for the building control system is at Low signal (quiescent current principle)
<ul style="list-style-type: none"> the green LED of each signalling line lights up 	<p style="text-align: center;">Standby</p> output relay 1 is not energised (working current principle) output relay 2 is energised (quiescent current principle) output signals of all signalling lines for the building control system are at High signal (quiescent current principle)
<ul style="list-style-type: none"> the yellow LED of one or more signalling lines flashes 	<p style="text-align: center;">Cable break</p> output relay 1 is energised (working current principle) output relay 2 is not energised (quiescent current principle) output signal of the corresponding signalling line(s) for the building control system is at Low signal (quiescent current principle)
Housing	insulating material, approx. 180 x 94 x 57 mm,
Connection	with 5 cable entries
Protection class	inside terminals
Mounting	IP54
Mounting orientation	surface mounting using 4 screws
Temperature range	any
Max. length of signalling lines	– 20°C to + 60°C
EMC	each 1,000 m between relay and sensor
	<ul style="list-style-type: none"> for interference emission in accordance with the appliance-specific requirements for households, business and commerce as well as small companies for interference immunity in accordance with the appliance-specific requirements for industrial companies

• Acknowledgement via touch sensor button

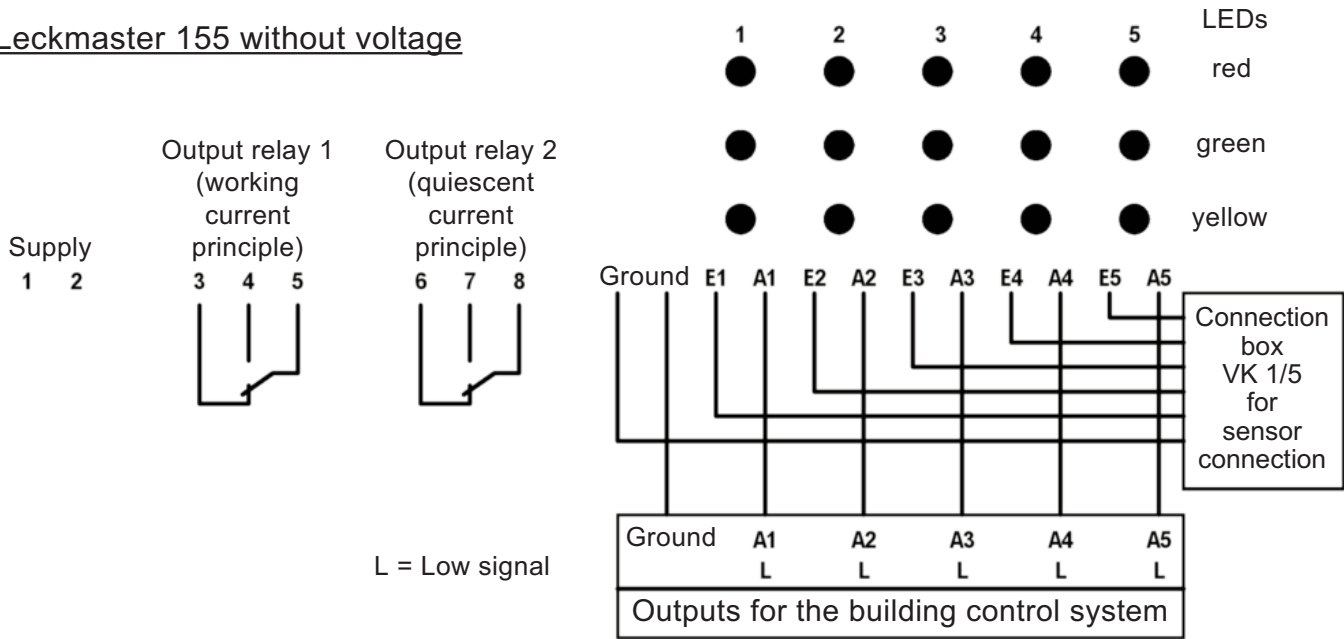
In the event of leakage or cable break in one of more activated signalling lines, output relay 1 is energised and the red LED on the touch sensor button flashes. The operator has to touch the sensor button panel if he wants to acknowledge the signal. Output relay 1 is then de-energised and the red LED reverts to steady.

In this status, new alarms from other signalling lines are signalled only via the optical indicators and the status signal outputs for the building control system of the affected signalling lines. In these cases, however, output relay 1 is not re-activated.

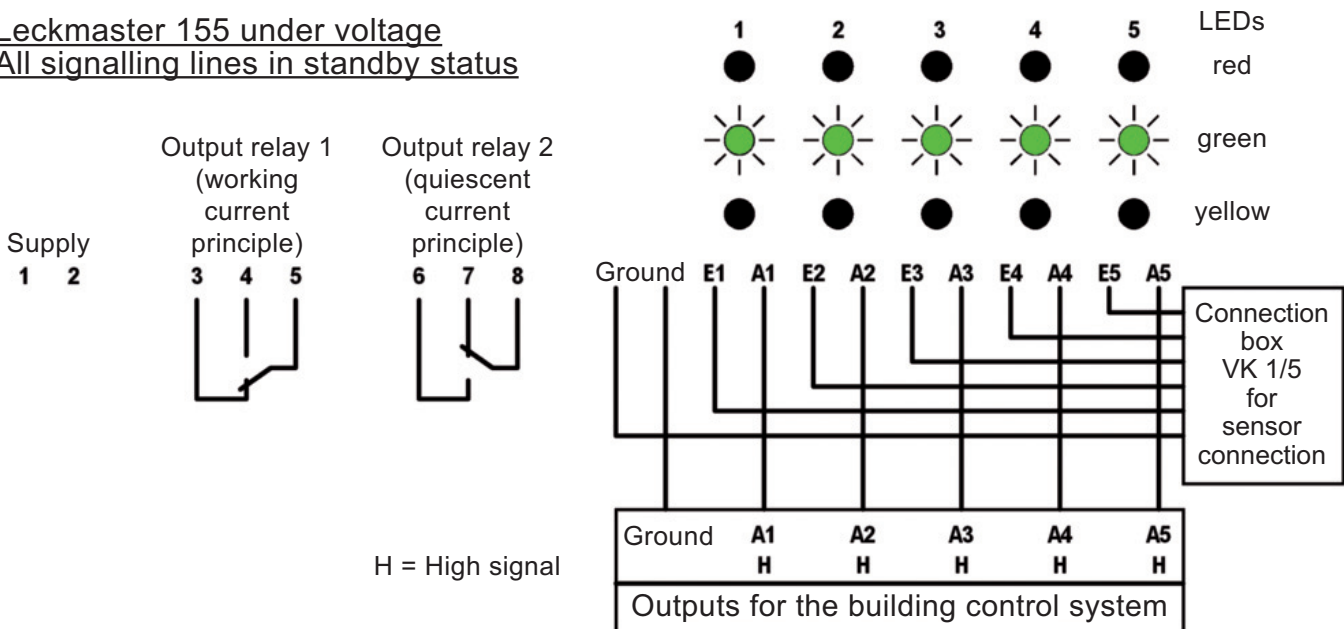
Acknowledgement has no effect whatsoever on output relay 2.

Position of the output contacts of the Leckmaster 155 relay

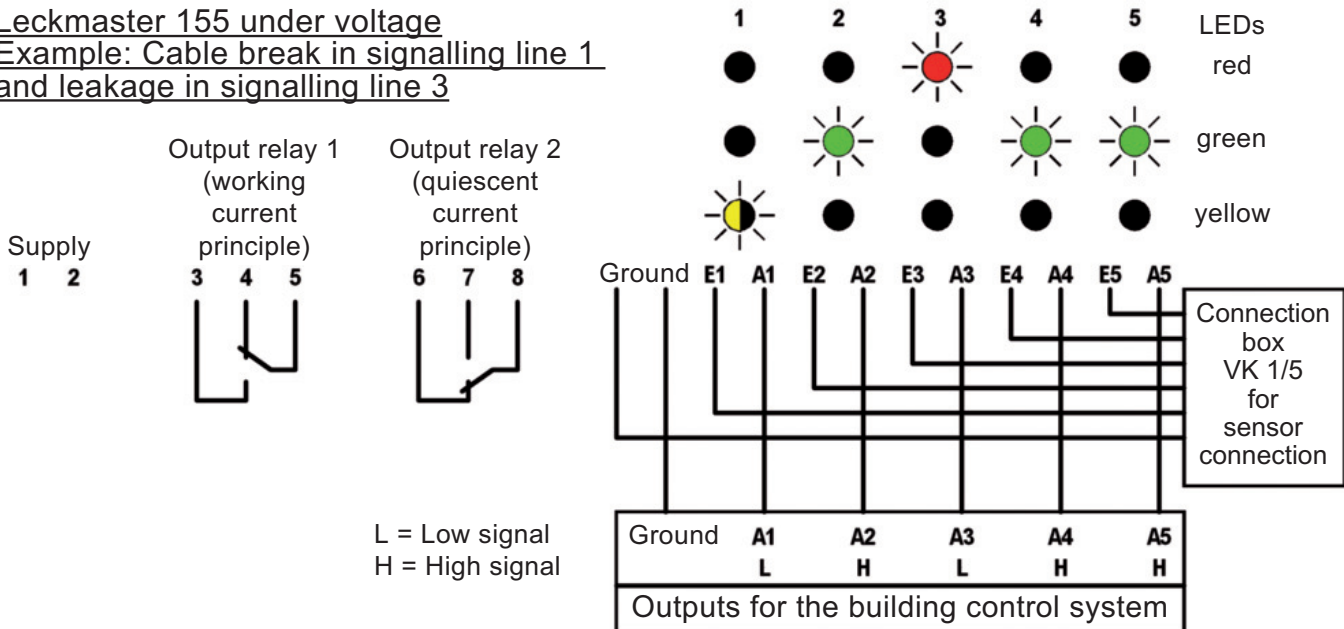
Leckmaster 155 without voltage



Leckmaster 155 under voltage All signalling lines in standby status



Leckmaster 155 under voltage Example: Cable break in signalling line 1 and leakage in signalling line 3



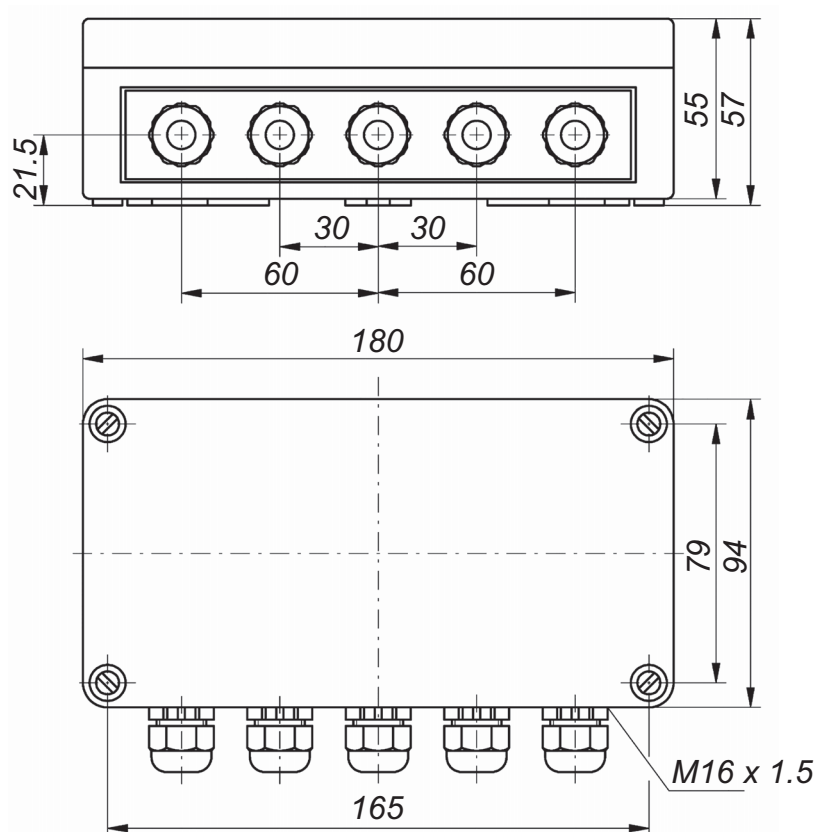


VK 1/5 connection box



Technical data	VK 1/5
Application	for fast and easy connection of up to 5 capacitive sensors to a Leckmaster 155 capacitive relay
Supply voltage	only for safety extra low voltage SELV or PELV
Housing	insulating material, approx. 180 x 94 x 57 mm, with 6 cable entries
Connection	to the screw terminals on the board
Protection class	IP54
Mounting	surface mounting using 4 screws
Mounting orientation	any
Temperature range	- 20°C to + 60°C

Dimensions Leckmaster 155 and VK 1/5



Dimensions in mm

Example for the connection of electrodes in connection boxes VK 1/5

E = Sensor inputs
 A = Outputs for the building control system

